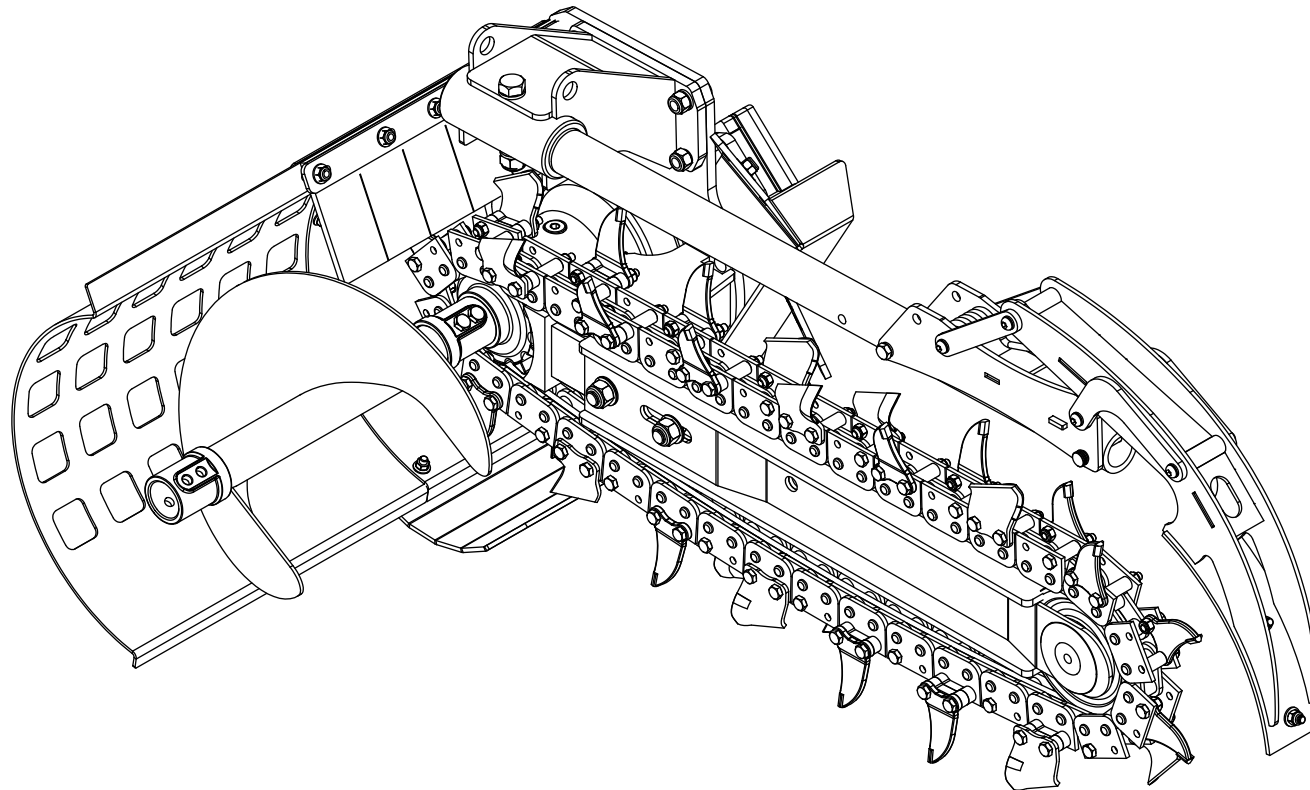


# MT24 - MT36 Trencher - Parts List

MT24 from Serial Number 410620001

MT36 from Serial Number 450920001





# MT24 - MT36 Trencher - Parts List



MT24 from Serial Number 410620001

MT36 from Serial Number 450920001

## FOREWORD

This document is the property of Auger Torque and the information contained herein is confidential to the company. The contents of the document must not be reproduced or disclosed wholly or in part, or used for purposes other than that for which it has been supplied, without the prior written permission of Auger Torque.

This manual has been written in the standard United Kingdom English Language. Auger Torque accepts no responsibility or liability for customer or any other third party translations of this manual into other languages, or for any incidents arising from such translation.

Auger Torque operates a policy of continuous product improvement, and actively encourages feedback on user manuals. If you wish to comment on the contents of this manual please send your comments using the feedback form provided. Please copy and complete the hard copy form on the back page of this manual.

## SAFETY

Auger Torque Earth Drill Units have been designed for use with specific Auger Torque mounting frames, Augers, Auger extensions and Auger wear parts. Provided these are used and maintained correctly, they will provide a safe and reliable method of boring holes in the earth.

Use of this product following unauthorised modifications or repairs, use by untrained personnel, by implementing unsafe systems of work, by making modifications to product supplied or through operation in any manner not intended by Auger Torque could result in death, serious injury, damage to property or the product itself, and will invalidate any product validation or warranty. Auger Torque accepts no responsibility whatsoever for such modifications, repair or use.

## WARRANTY

Auger Torque is not responsible for nor will accept any charges for work carried out by any unauthorised repairers. Charges, including those for spare parts, will not be accepted unless they have been authorised in writing by Auger Torque.

Any goods returned to Auger Torque by the customer, under warranty or for repair, must be freight paid unless authorised in writing by Auger Torque.

For full terms and condition see:-

[www.augertorque.com/about-us/warranties.html](http://www.augertorque.com/about-us/warranties.html)

## CONTACT DETAILS

Please contact your local dealer / distributor via our website

**[www.augertorque.com/dealer-locator.html](http://www.augertorque.com/dealer-locator.html)**

Auger Torque Europe Ltd.

Tel: +44 (0) 1451 861 652

Auger Torque Australia Pty Ltd.

Tel: +61 (0) 7 3274 2077

Attachment Torque MFG(China) Co.,Ltd

Tel: +86 (0) 574 88488181

Auger Torque USA LLC.

Tel: +1 260 200 1500

# MT24 - MT36 Trencher - Parts List

MT24 from Serial Number 410620001

MT36 from Serial Number 450920001

## THE MACHINERY DIRECTIVE (European Community Only)

The Machinery Directive 2006/42/EC (formerly 98/37/EEC) provides the harmonisation of the essential health and safety requirements for machinery, through a combination of mandatory health and safety requirements and voluntary harmonised standards. Such directives apply only to products that are intended to be placed on or put into service in the market for the first time.

The manufacturer or the authorised representative must draw up a 'Declaration of Conformity'.

## Declaration of Conformity (European Community Only)

Where Earth Drill Units are supplied in conjunction with Auger Torque manufactured mounting frames and Augers to form an Earth Drill Assembly, Auger Torque have control over the suitability of the parts supplied. To show this and meet with the lawful requirements of the Machinery Directive a Declaration of Conformity is issued and a CE mark is applied to the assembly.

## SYMBOLS AND ABBREVIATIONS

The symbols that follow are used within this publication



Safety Glasses to be worn



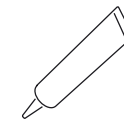
Gloves/hand protection to be used



Safety shoes to be worn



Torque Tightening required



Thread treatment required



Refer to Interchangeability Chart

# MT24 - MT36 Trencher - Parts List



MT24 from Serial Number 410620001

MT36 from Serial Number 450920001

## ILLUSTRATED PARTS LIST.

- A** The Illustrated Parts List helps the supply procedure and the identification of replacement component parts.
- B** The Detailed Parts List is divided into seven columns:
- The first column gives the item number of each detailed part contained in the illustration. An item number prefixed by a (-), shows that the item is not illustrated.
  - The second column gives the part number by which the item is identified.
  - The third column, gives the description of the component. The description will be preceded by one or more dots (●).
  - The fourth column gives the quantity of each item in the complete assembly.
  - The fifth column shows the torque tightening required for the item.
  - The sixth column shows the thread treatment required for the item.
  - The seventh column makes reference to any additional information required for the part or assembly.
- C** Only those items with full dots (●) can be ordered as spares. Items with empty dots (eg ●o) are shown only for clarity of assembly and cannot be ordered as spares.

- D** When ordering spare parts please quote the serial number of the Earth Drill, which can be identified from the serial number plate on the top of the unit.

**NOTE: Auger Torque will not accept any liability for incorrect parts that may be supplied because an incorrect serial number has been quoted.**

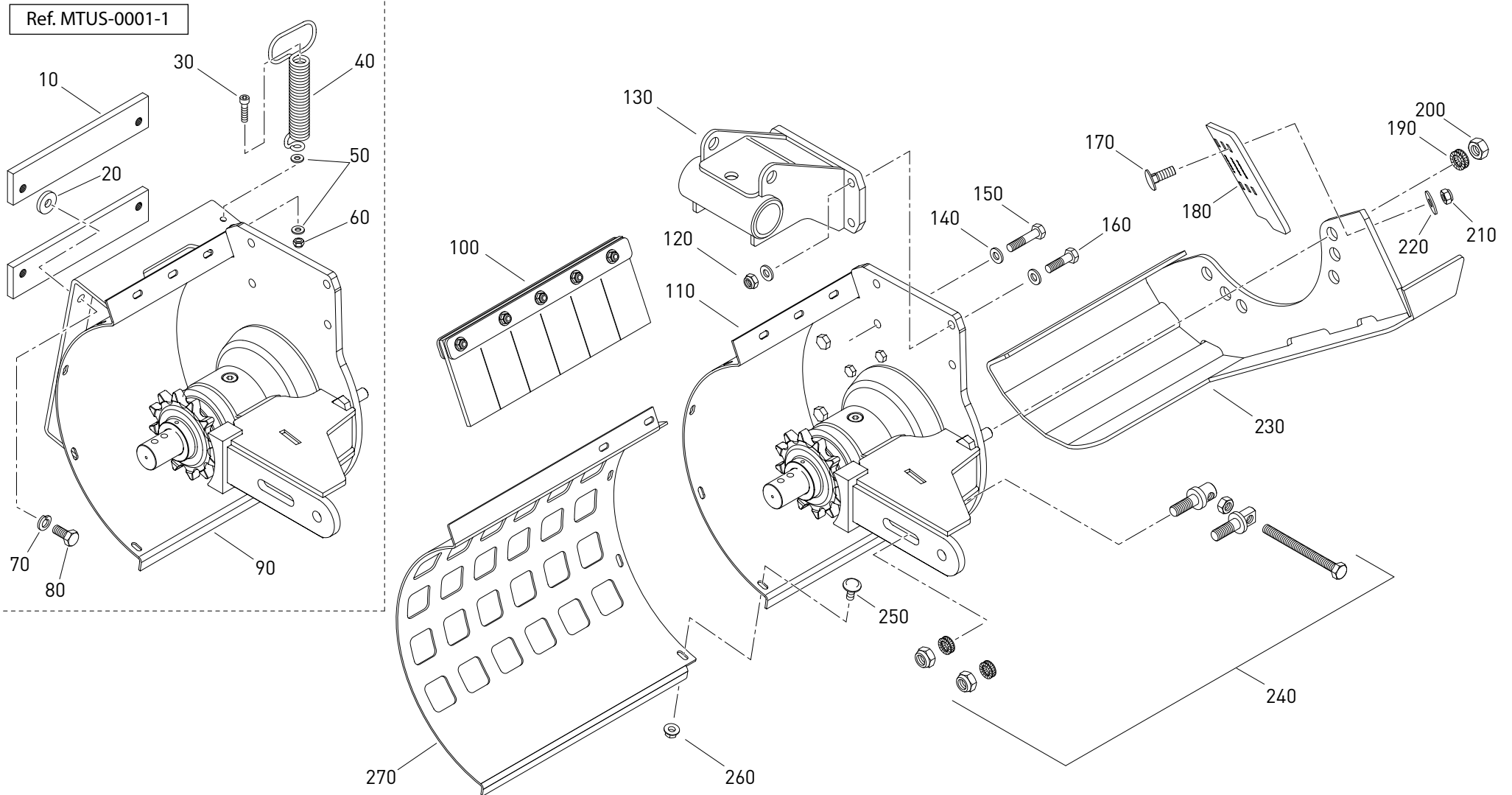
The abbreviations that follow are used within this publication

AR	As Required
BSP	British Standard Pipe Thread
cc	Cubic Centimeters
Kg	Kilogrammes
L	Litres
LPM	Litres Per Minute
Mm	Millimeters
Nm	Newton Meters
UNC	Unified Coarse Thread
GPM	Gallons Per Minute
G	Gallons
lbs	Pounds
ft-lbs	Foot Pounds

# MT24 - MT36 Trencher - Parts List

MT24 from Serial Number 410620001

MT36 from Serial Number 450920001



# MT24 - MT36 Trencher - Parts List



MT24 from Serial Number 410620001

MT36 from Serial Number 450920001

ITEM	PART NO.	DESCRIPTION	QTY	TORQUE LOAD	THREAD TREATMENT	NOTES
10	45-1039	• PLATE - CLAMP SIDESHIFT (SKIDSTEER)	2			
20	19-0053-43	• SPACER - SIDESHIFT (SKIDSTEER)	4			
30	99-9134-035-Y	• FIXING - SKT HD CAP M10 x 35 (12.9 Grade) (SKIDSTEER)	1			
40	99-7922	• SPRING HOSE RETAINER (SKIDSTEER)	1			
50	99-9154-P	• FIXING - M10 PLAIN "PENNY" WASHER (SKIDSTEER)	2			
60	99-9184	• FIXING - M10 METRIC NYLOC NUT (SKIDSTEER)	1			
70	99-9166	• FIXING - SPRING WASHER - M16 H/D (SKIDSTEER)	4			
80	99-9125-035	• FIXING - M12 x 35MM - SETSCREW (8.8 Grade) (SKIDSTEER)	4			
90	45-1930	• DRIVE SUB ASSEMBLY - (SKIDSTEER)	1			
100	45-1907	• KIT-RUBBER FLAP/PLATE AND FIXINGS	1			
110	45-1929	• DRIVE SUB ASSEMBLY - (EXCAVATOR/MINI LOADER)	1			
120	99-9186	• FIXING - NUT NYLOC M16 (8.8)	4			
130	45-1912	• MT24/36 DANGER BAR MTG. FAB	1			
140	99-9156	• FIXING - WASHER - M16	8			
150	99-9126-075	• FIXING - M16 x 75MM - BOLT (8.8 Grade)	1			
160	99-9126-060	• FIXING - M16 x 60MM - SETSCREW (8.8 Grade)	3			
170	99-9205-035	• FIXING - M12X35 CUP SQ SETSCREW (DIN603)	2			
180	45-1045	• SKID PLATE MT ADJUSTABLE CHAIN WIDTH 100-200	1			
190	99-9237	• FIXING - WASHER ANTIVIBRATION NORD M20 -SP	2			
200	99-9177	• FIXING - NUT PLAIN M20	2			
210	99-9185	• FIXING - M12 METRIC NYLOC NUT	2			
220	99-9155-P	• FIXING - PENNY WASHER - M12 - FORM G	2			
230	45-1901	• SKID PLATE WELD ASSY MT24/36	1			
240	42-1902	• BOOM ADJUSTMENT KIT	1			
250	99-9204-025	• FIXING - COACH BOLT M10 X 25 LONG (8.8 Grade)	4			
260	99-9194	• FIXING - NUT FLANGED - M10	4			
270	45-1035	• GUARD - BOLT-ON TRENCHER	1			

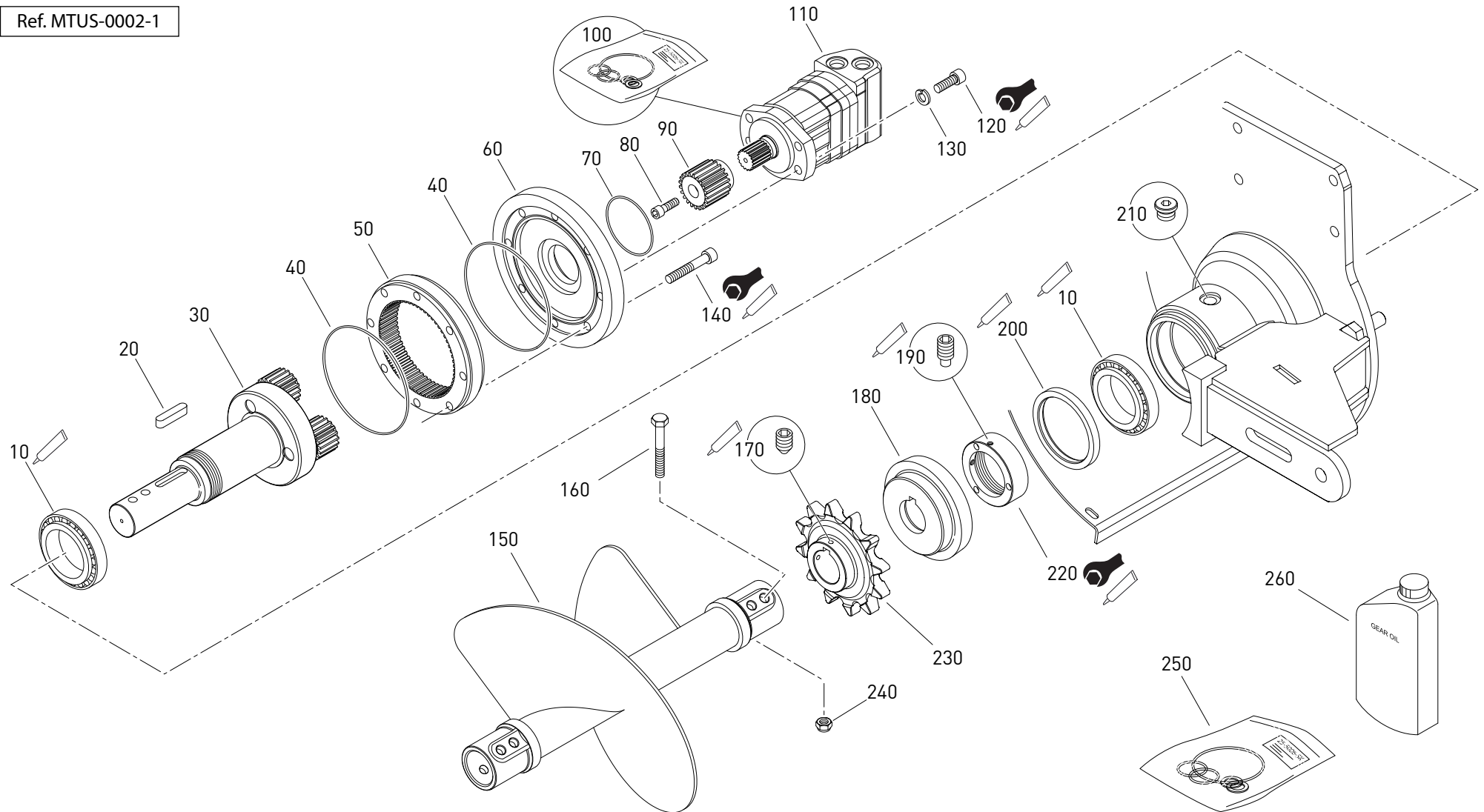
Ref. MTUS-0001-1

# MT24 - MT36 Trencher - Parts List

MT24 from Serial Number 410620001

MT36 from Serial Number 450920001

Ref. MTUS-0002-1





# MT24 - MT36 Trencher - Parts List



MT24 from Serial Number 410620001

MT36 from Serial Number 450920001

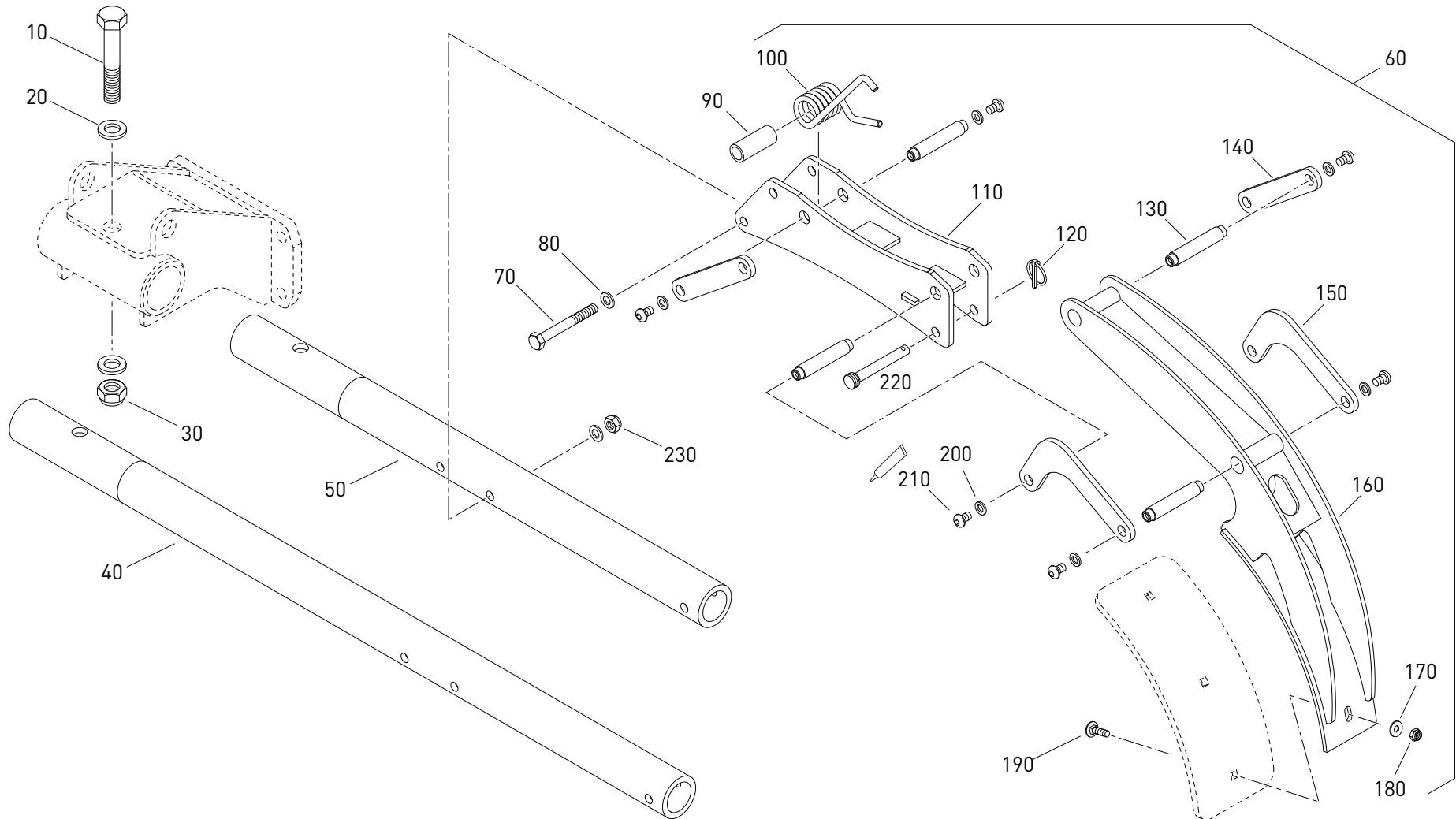
ITEM	PART NO.	DESCRIPTION	QTY	TORQUE LOAD	THREAD TREATMENT	NOTES
10	99-1104	● TAPER BEARING 75mm (32015X)	2		LOCTITE 7471, 641	
20	42-1027	● KEY-DRIVE SHAFT - ALL TRENCHERS	1			
30	21-3913	● TRENCHER SHAFT ASSEMBLY - 3.86:1	1			
40	99-1532-V	●○ O'RING - 162 x 3.0 (SERIES 3 RING)	2			See Seal Kit
50	21-3004	● RING GEAR - 60T - 2.5 MOD.	1			
60	21-3057	● BTM INPUT - TRENCHER DIR. SUN GEAR	1			
70	99-1540-V	●○ O'RING - 86 ID x 2.5 DIAMETER (Motor seal)	1			See Seal Kit
80	99-9633-100	● FIXING - 3/8" UNC X 1" LONG SOCKET CAP SCREW - BLACK	1			
90	21-3049	● SUN GEAR - 21T - MOTOR MTG.	1			
100	25-2312	● SEAL KIT - MOTOR	1			
110	25-2303	● MOTOR - ATE 80cc - 14T SHAFT	1			
120	99-9135-035	● FIXING - M12 x 35 SOCKET CAP SCREW (12.9 Grade)	4	89-99.5 ft-lbs	LOCTITE 243	
130	99-9165	● FIXING - M12 SPRING WASHER	4			
140	99-9135-075	● FIXING - M12 x 75 SOCKET CAP SCREW (12.9 Grade)	8	89-99.5 ft-lbs	LOCTITE 243	
150	42-1921	● AUGER - DUAL HUB	1			
160	99-9115-090	● FIXING - BOLT - M12 x 90 - BOLT (10.9 Grade)	2			
170	99-9223-010	● SETSCREW -CONE PT- M8 x 10	2		LOCTITE 243	
180	42-1017	● SEAL PROTECTOR (70 Bearing output housing)	1			
190	99-9213-012	● GRUB SCREW - M8X12 SQUARE POINT (14.9 Grade)	2		LOCTITE 243	
200	99-1504	●○ OIL LIP SEAL - (100 x120 x12)	1		LOCTITE 7471, 515	See Seal Kit
210	21-5071	● 1/2" BSP MAGNETIC PRESSURE PLUG	2			
220	21-3019	● LOCKING NUT M75	1	258 ft-lbs	LOCTITE 209125	
230	42-1033	● SPROCKET - C/W Collar (MINI-T)	1			
240	99-9185	● FIXING - NUT NYLOC M12 (8.8 Grade)	2			
250	SK-21-390	● SEAL KIT - GEARBOX - SERIES 3 - Comprising of items 40,70 &190	1			
260	99-8101	● GEAR OIL - AGMA 6EP - MINERAL (1 Litre Bottle) All units are supplied with 320 viscosity oil, except where the unit is to be or stored in extreme temperatures.	2			2.3 US pints
	99-8104	● GEAR OIL - AGMA 4EP - MINERAL When using or storing the units below -15°C				
	99-8106	● GEAR OIL - AGMA 7EP - MINERAL When using or storing the units above 35°C				
	21-3993	● KIT - DRIVE SUB ASSY - Comprising of items 10 to 80, 110 to 130 & 160 to 220	1			Ref. MTUS-0002-1

# MT24 - MT36 Trencher - Parts List

MT24 from Serial Number 410620001

MT36 from Serial Number 450920001

Ref. MTUS-0003-1



# MT24 - MT36 Trencher - Parts List



MT24 from Serial Number 410620001

MT36 from Serial Number 450920001

ITEM	PART NO.	DESCRIPTION	QTY	TORQUE LOAD	THREAD TREATMENT	NOTES
10	99-9117-120	• FIXING - BOLT M20 X 2.5 X 120 LONG (8.8 Grade)	1			
20	99-9157	• FIXING - M20 PLAIN WASHER	2			
30	99-9187	• FIXING - M20 METRIC NYCLOC NUT (8.8 Grade)	1			
40	45-1025	• DANGER BAR TUBE - (MT36)	1			
50	45-1024	• DANGER BAR TUBE - (MT24)	1			
60	45-1909	• TRENCH CLEANER ASSEMBLY	1			
70	99-9115-100	• FIXING - BOLT - M12 x 100	1			
80	99-9155	• FIXING - WASHER - M12	2			
90	42-1056	• TUBE - SPRING BUSH	1			
100	43-1102	• SPRING - TRENCHER CLEANER	1			
110	45-1902	• TRENCH CLEANER- PIVOT FAB	1			
120	99-99021	• LINCH PIN - 3545 - 4.5 x 28 x 35	1			
130	42-1045	• PIN - LINK PIVOT TAPPED	4			
140	42-1046	• LINK PLATE - SHORT	2			
150	42-1047	• PLATE - LONG LINK	2			
160	42-1913	• MAIN ARM FAB. (TRENCHER CLEANER)	1			
170	99-9154-P	• FIXING - M10 PLAIN "PENNY" WASHER	3			
180	99-9184	• FIXING - M10 METRIC NYLOC NUT	3			
190	99-9204-035	• FIXING - COACH BOLT M10 X 35 LG	3			
200	99-9154	• FIXING - M10 PLAN WASHER	8			
210	99-9254-16	• FIXING - M10 x 16 SKT HD BUTTON SETSCREW	8		LOCTITE 243	
220	42-1055	• PIN - AUGER RETAINER	1			
230	99-9185	• FIXING - M12 METRIC NYLOC NUT (8.8 Grade)	1			

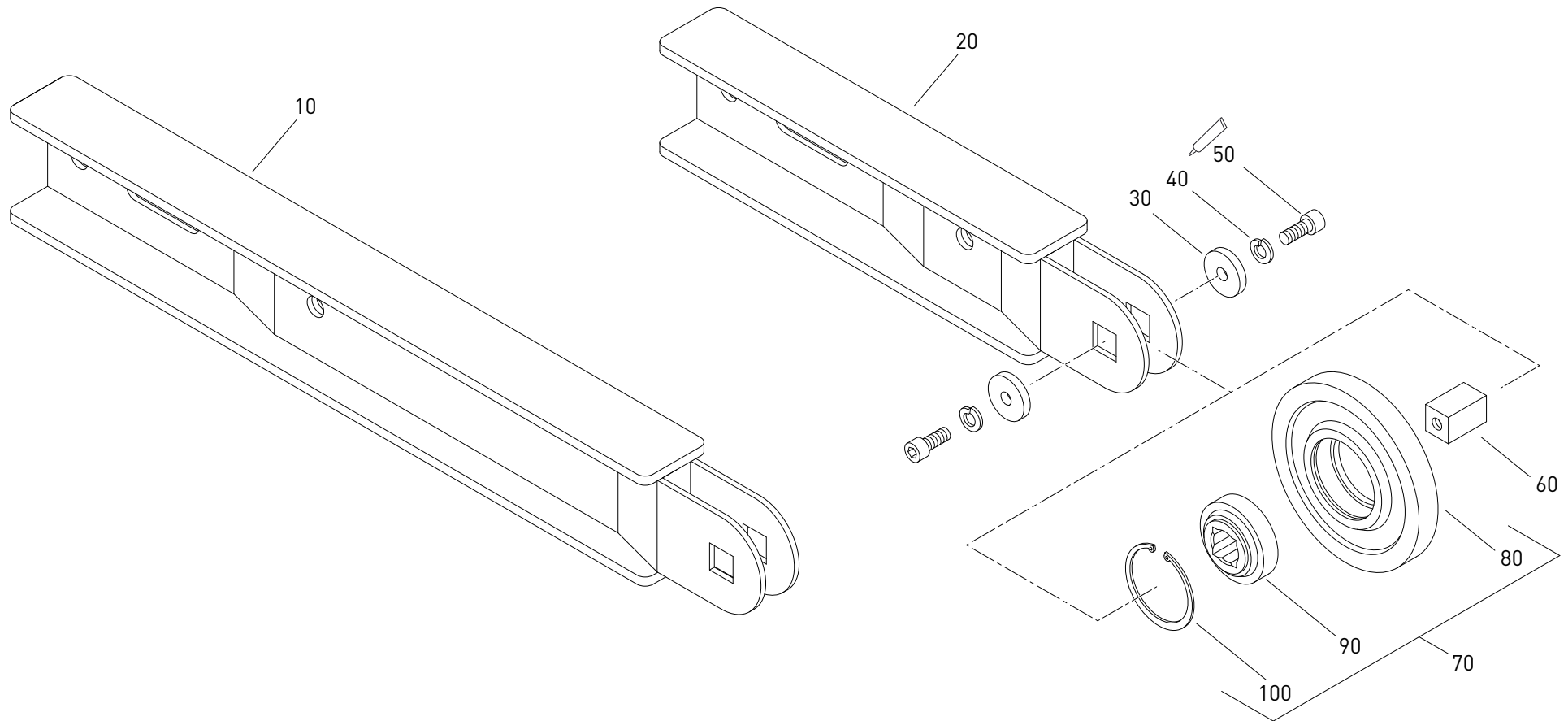
Ref. MTUS-0003-1

# MT24 - MT36 Trencher - Parts List

MT24 from Serial Number 410620001

MT36 from Serial Number 450920001

Ref. MTUS-0004-1



# MT24 - MT36 Trencher - Parts List



MT24 from Serial Number 410620001

MT36 from Serial Number 450920001

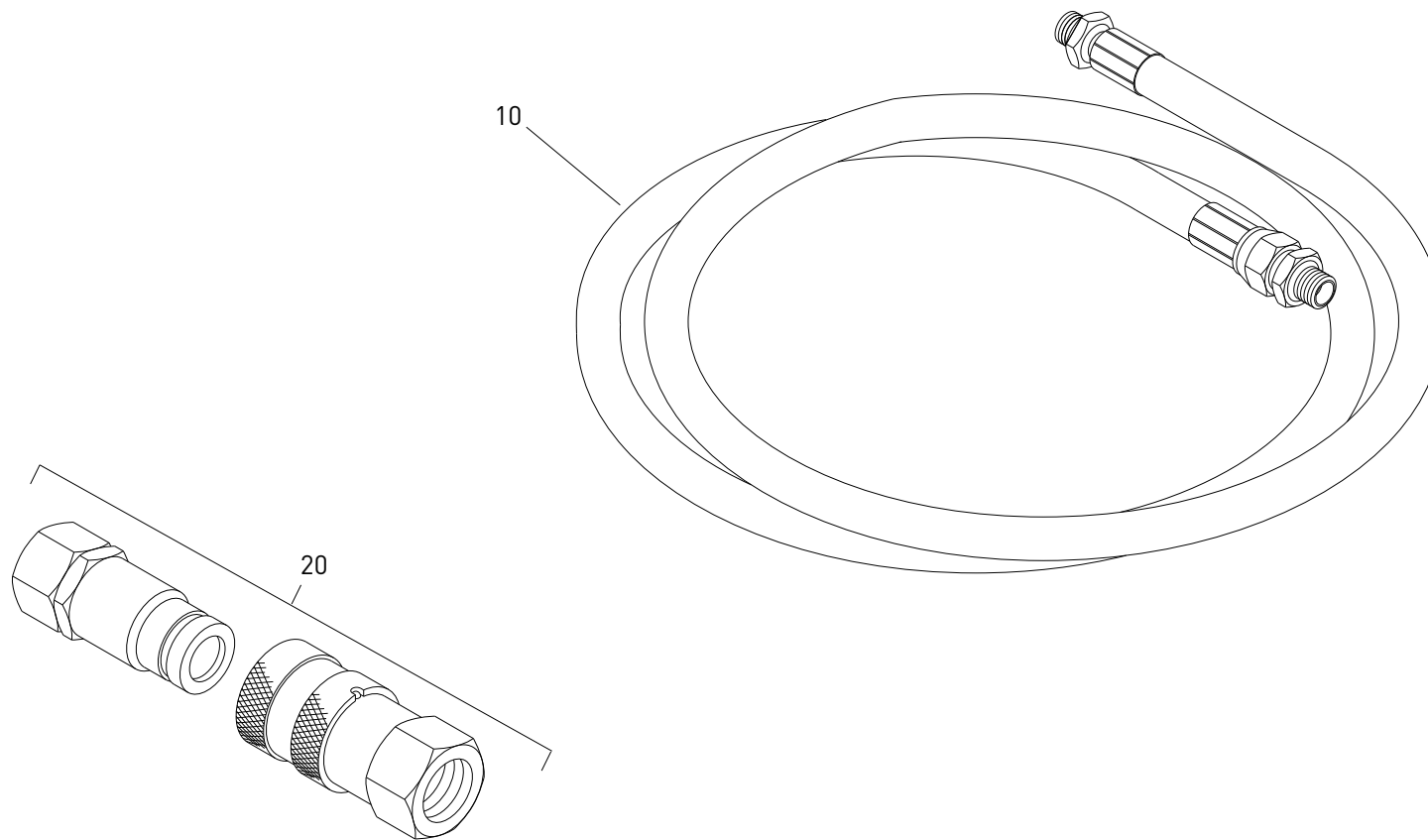
ITEM	PART NO.	DESCRIPTION	QTY	TORQUE LOAD	THREAD TREATMENT	NOTES
10	42-1907	• BOOM WELD ASSY (MT36)	1			
20	42-1905	• BOOM WELD ASSY (MT24)	1			
30	42-1024	• WASHER - TRENCHER BOOM NOSE	2			
40	99-9165	• FIXING - SPRING WASHER - M12 H/D	2			
50	99-9135-030	• FIXING - SKT HD CAP M12 x 30	2		LOCTITE 243	
60	42-1025	• PIN SQUARE - NOSE ROLLER (INC MAT'L)	1			
70	42-1900	• NOSE ROLLER ASSY	1			
80	42-1026	• ROLLER - BOOM NOSE	1			
90	99-1207	• BEARING - TRENCHER NOSE ROLLER (W208PP5)	1			
100	99-1603	• CIRCLIP - INTERNAL - NOSE ROLLER- 80mm INT.	1			
	D					
						Ref. MTUS-0004-1

# MT24 - MT36 Trencher - Parts List

MT24 from Serial Number 410620001

MT36 from Serial Number 450920001

Ref. MT-0005-1



# MT24 - MT36 Trencher - Parts List



MT24 from Serial Number 410620001

MT36 from Serial Number 450920001

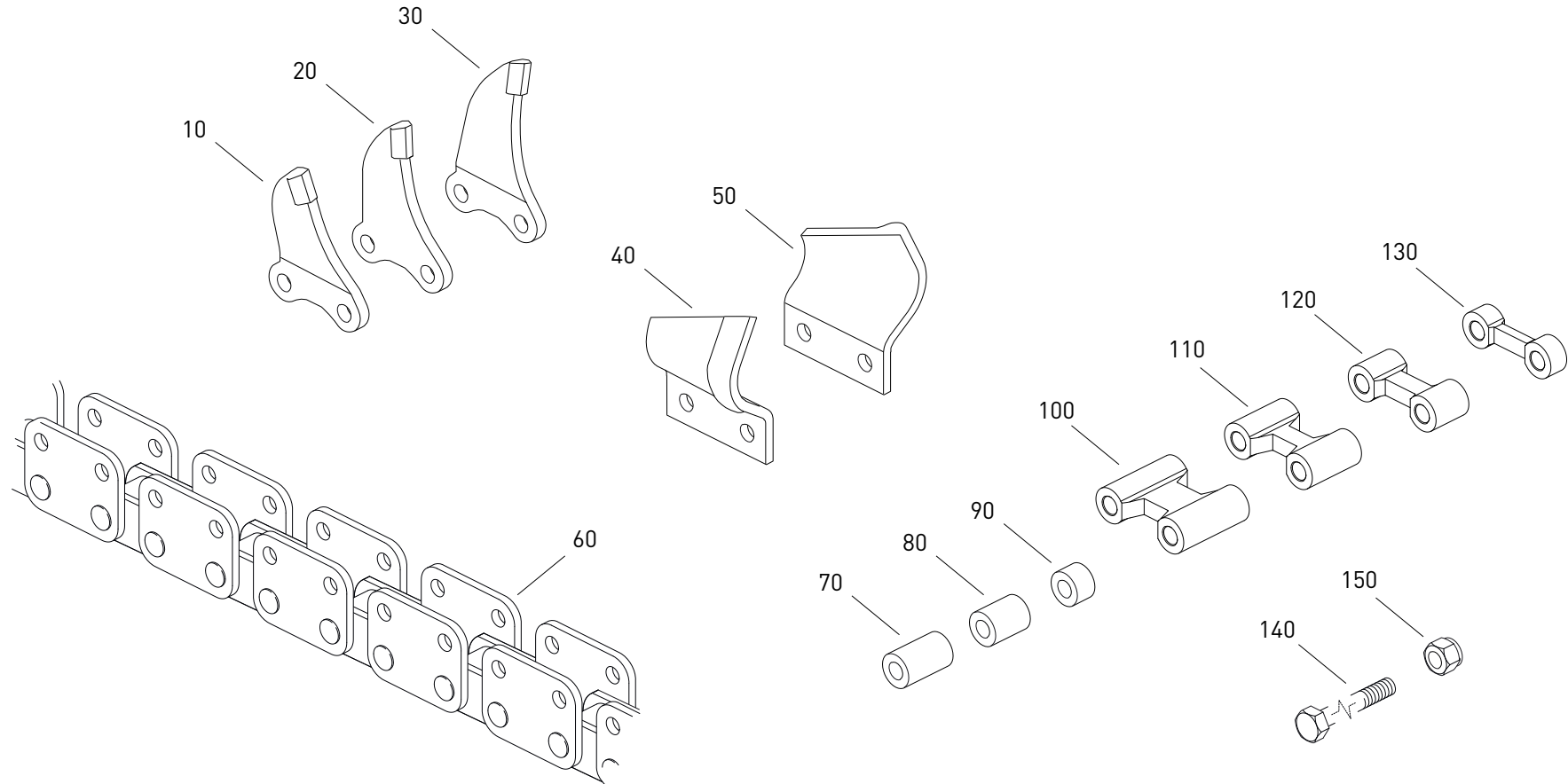
ITEM	PART NO.	DESCRIPTION	QTY	TORQUE LOAD	THREADLOCKER	NOTES
10	99-7504	<ul style="list-style-type: none"> <li>• HOSE - 1.8M 1/2" BSP Str/Str</li> </ul>	2			
20	99-7052-M/F	<ul style="list-style-type: none"> <li>• QRC'S - 1/2" FF</li> </ul>	1			
						Ref. MT-0005-1

# MT24 - MT36 Trencher - Parts List

MT24 from Serial Number 410620001

MT36 from Serial Number 450920001

Ref. MT-0006-1





# MT24 - MT36 Trencher - Parts List



MT24 from Serial Number 410620001

MT36 from Serial Number 450920001

ITEM	PART NO.	DESCRIPTION	QTY	TORQUE LOAD	THREAD TREATMENT	NOTES
10	44-2003	• TOOTH - MINI-T RIGHT HAND TUNGSTEN	1			
20	44-2002	• TOOTH - MINI-T CENTRE TUNGSTEN	1			
30	44-2001	• TOOTH - MINI-T LEFT HAND TUNGSTEN	1			
40	44-2011	• TOOTH - MINI-T RIGHT HAND EARTH	1			
50	44-2010	• TOOTH - MINI-T LEFT HAND EARTH	1			
60	44-2026	• CHAIN - 48 LINKS (600 DEEP)	1			
	44-2025	• CHAIN - 64 LINKS (900 DEEP)	1			
70	44-2027	• CHAIN SPACER - 38.5 LONG	1			
80	44-2028	• CHAIN SPACER - 30.0 LONG	1			
90	44-2029	• CHAIN SPACER - 15.3 LONG	1			
100	44-2034	• SPACER BLOCK - 50mm WIDE	1			
110	44-2033	• SPACER BLOCK - 37.5mm WIDE	1			
120	44-2032	• SPACER BLOCK - 25mm WIDE	1			
130	44-2031	• SPACER BLOCK - 12mm WIDE	1			
140	99-9124-025	• FIXING - SETSCREW - M10 x 25mm	1			
	99-9124-030	• FIXING - SETSCREW - M10 x 30mm	1			
	99-9114-040	• FIXING - BOLT - M10 x 40mm	1			
	99-9114-050	• FIXING - BOLT - M10 x 50mm	1			
	99-9114-055	• FIXING - BOLT - M10 x 55mm	1			
	99-9114-060	• FIXING - BOLT - M10 x 60mm	1			
	99-9114-065	• FIXING - BOLT - M10 x 65mm	1			
	99-9114-070	• FIXING - BOLT - M10 x 70mm	1			
	99-9114-075	• FIXING - BOLT - M10 x 75mm	1			
	99-9114-080	• FIXING - BOLT - M10 x 80mm	1			
	99-9114-090	• FIXING - BOLT - M10 x 90mm	1			
	99-9114-100	• FIXING - BOLT - M10 x 100mm	1			
	99-9114-110	• FIXING - BOLT - M10 x 110mm	1			
	99-9114-120	• FIXING - BOLT - M10 x 120mm	1			
	99-9114-200	• FIXING - BOLT - M10 x 200mm	1			
	99-9114-210	• FIXING - BOLT - M10 x 210mm	1			
	99-9114-230	• FIXING - BOLT - M10 x 230mm	1			
	99-9114-250	• FIXING - BOLT - M10 x 250mm	1			
	99-9114-260	• FIXING - BOLT - M10 x 260mm	1			
	99-9114-280	• FIXING - BOLT - M10 x 280mm	1			
	99-9114-290	• FIXING - BOLT - M10 x 290mm	1			
150	99-9184	• FIXING - NUT NYLOC M10	1			

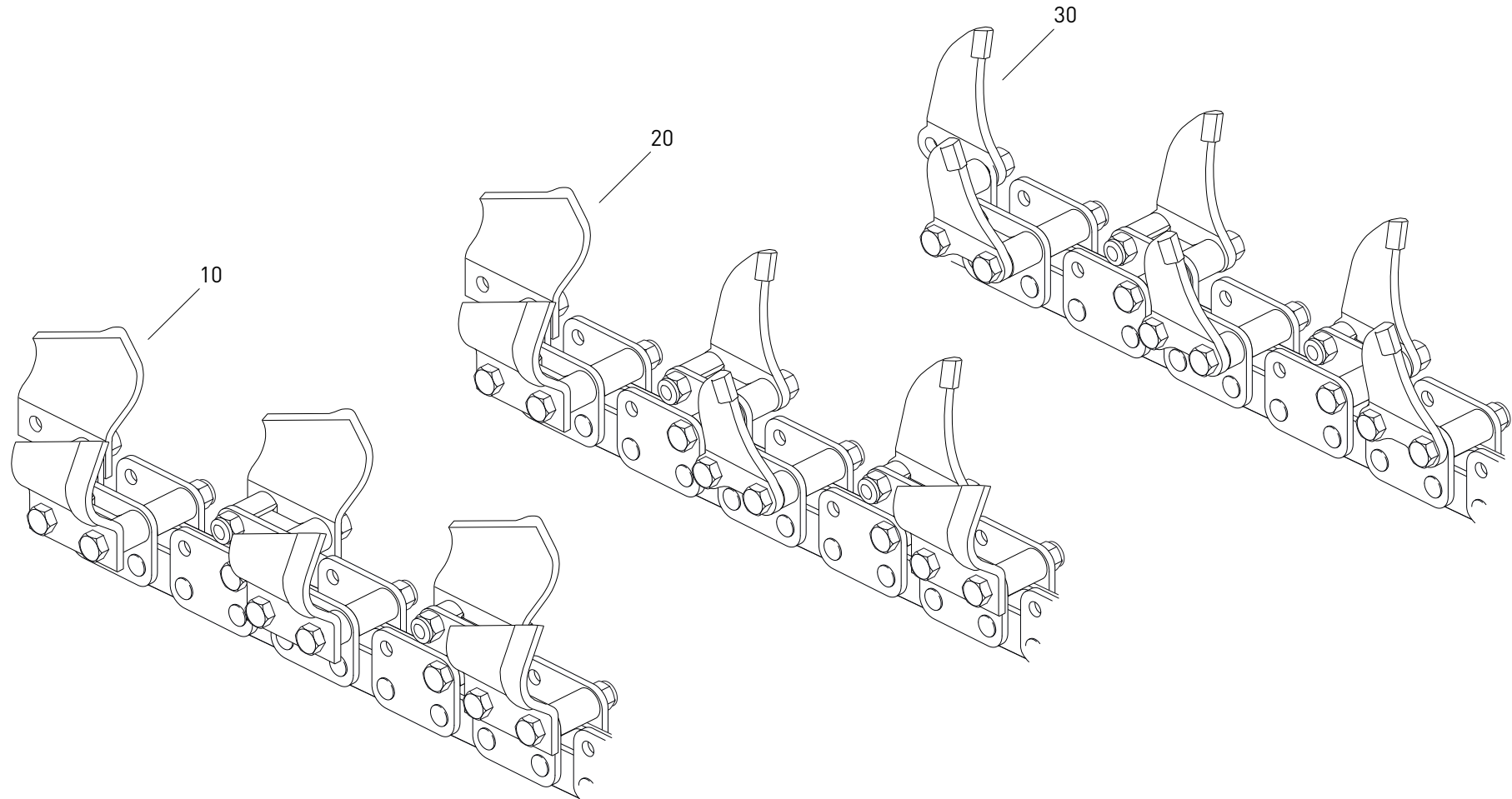
Ref. MT-0006-1

# MT24 - MT36 Trencher - Parts List

MT24 from Serial Number 410620001

MT36 from Serial Number 450920001

Ref. MTUS-0005-1



# MT24 - MT36 Trencher - Parts List



MT24 from Serial Number 410620001

MT36 from Serial Number 450920001

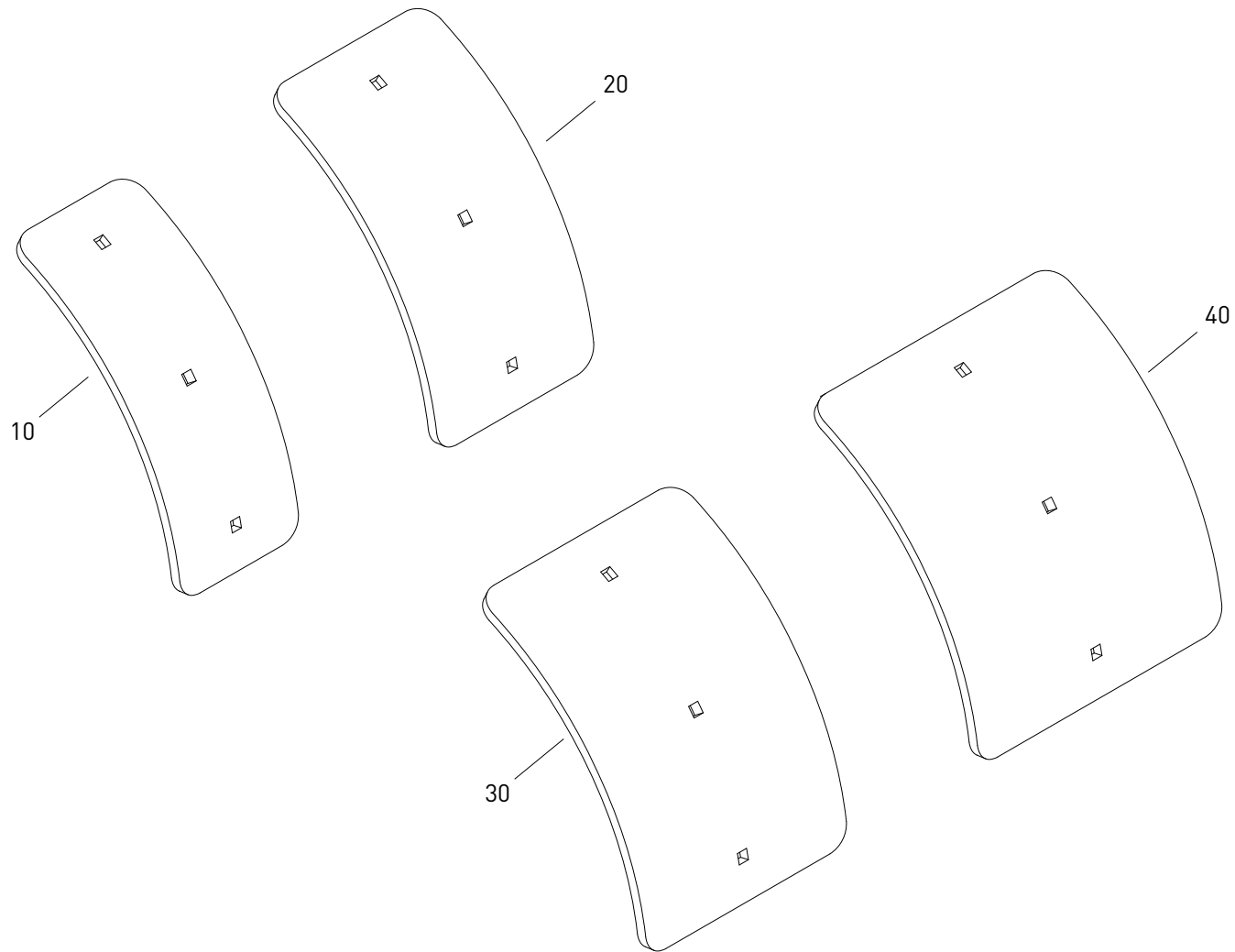
ITEM	PART NO.	DESCRIPTION	QTY	TORQUE LOAD	THREAD TREATMENT	NOTES
10	44-2901	• CHAIN - 600 x 100 EARTH - (MT24)	1			
	44-2903	• CHAIN - 600 x 150 EARTH - (MT24)	1			
	44-2905	• CHAIN - 600 x 200 EARTH - (MT24)	1			
	44-2907	• CHAIN - 900 x 100 EARTH - (MT36)	1			
	44-2909	• CHAIN - 900 x 150 EARTH - (MT36)	1			
	44-2911	• CHAIN - 900 x 200 EARTH - (MT36)	1			
	44-2939	• CHAIN - 900 x 250 EARTH - (MT36)	1			
	44-2933	• CHAIN - 900 x 300 EARTH - (MT36)	1			
20	44-2902	• CHAIN - 600 x 100 COMBI - (MT24)	1			
	44-2904	• CHAIN - 600 x 150 COMBI - (MT24)	1			
	44-2906	• CHAIN - 600 x 200 COMBI - (MT24)	1			
	44-2908	• CHAIN - 900 x 100 COMBI - (MT36)	1			
	44-2910	• CHAIN - 900 x 150 COMBI - (MT36)	1			
	44-2912	• CHAIN - 900 x 200 COMBI - (MT36)	1			
	44-2915	• CHAIN - 900 x 250 COMBI - (MT36)	1			
	44-2934	• CHAIN - 900 x 300 COMBI - (MT36)	1			
30	44-2918	• CHAIN - 600 x 100 TUNGSTEN - (MT24)	1			
	44-2913	• CHAIN - 600 x 150 TUNGSTEN - (MT24)	1			
	44-2914	• CHAIN - 600 x 200 TUNGSTEN - (MT24)	1			
	44-2916	• CHAIN - 900 x 100 TUNGSTEN - (MT36)	1			
	44-2920	• CHAIN - 900 x 150 TUNGSTEN - (MT36)	1			
	44-2921	• CHAIN - 900 x 200 TUNGSTEN - (MT36)	1			
	44-2941	• CHAIN - 900 x 250 TUNGSTEN - (MT36)	1			
	44-2935	• CHAIN - 900 x 300 TUNGSTEN - (MT36)	1			
						Ref. MTUS-0005-1

# MT24 - MT36 Trencher - Parts List

MT24 from Serial Number 410620001

MT36 from Serial Number 450920001

Ref. MT-0008-1



# MT24 - MT36 Trencher - Parts List



MT24 from Serial Number 410620001

MT36 from Serial Number 450920001

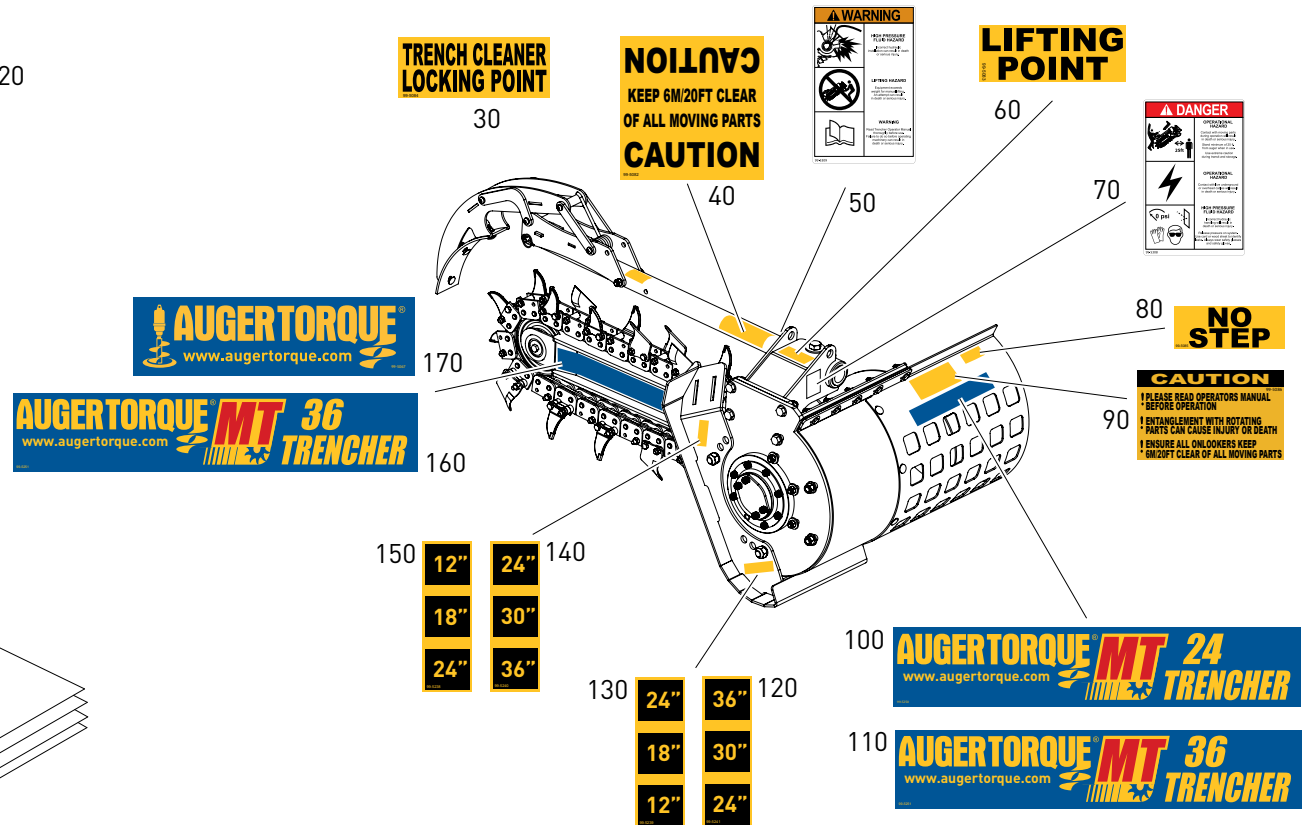
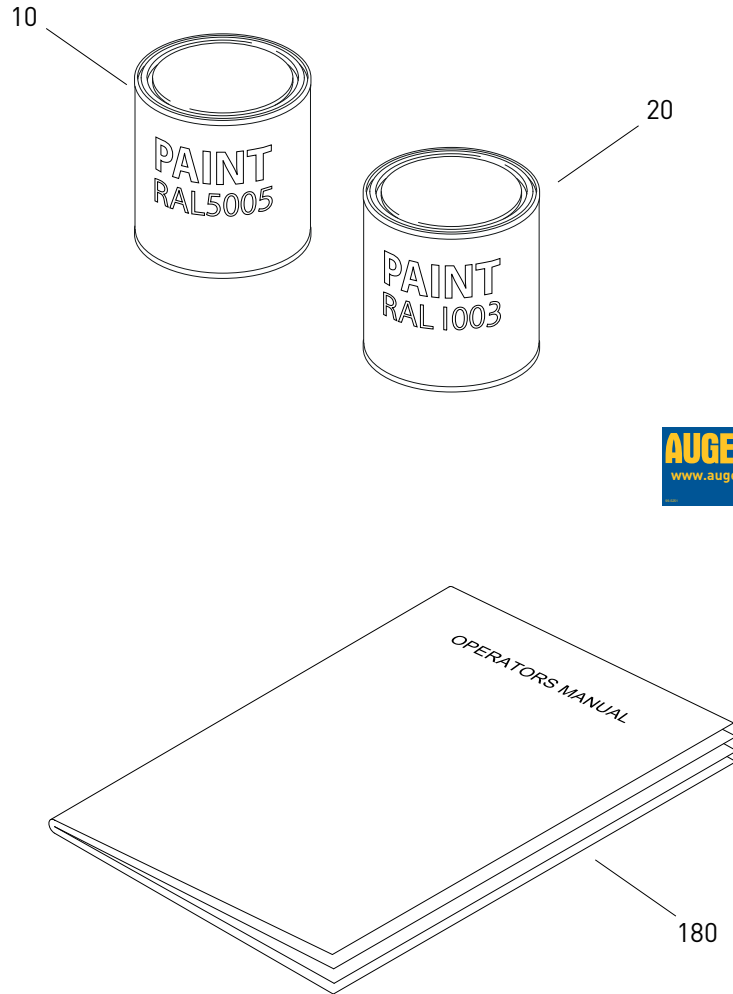
ITEM	PART NO.	DESCRIPTION	QTY	TORQUE LOAD	THREAD TREATMENT	NOTES
10	42-1058	• SCRAPER - MT - 332 x 130 FOR 150MM CHAINS	1			
20	42-1030	• SCRAPER - MT - 332 x 180 FOR 200MM CHAINS	1			
30	42-1052	• SCRAPER - MT - 332 x 230 FOR 250MM CHAINS	1			
40	42-1057	• SCRAPER - MT - 332 x 280 FOR 300MM CHAINS	1			
						Ref. MT-0008-1

# MT24 - MT36 Trencher - Parts List

MT24 from Serial Number 410620001

MT36 from Serial Number 450920001

Ref. MTUS-0006-1



# MT24 - MT36 Trencher - Parts List



MT24 from Serial Number 410620001

MT36 from Serial Number 450920001

ITEM	PART NO.	DESCRIPTION	QTY	TORQUE LOAD	THREAD TREATMENT	NOTES
10	99-8002	• PAINT - AUGER TORQUE BLUE 0.5L	1			
20	99-8002	• PAINT - AUGER TORQUE YELLOW 0.5L	1			
30	99-5084	• LABEL - TRENCH CLEANER LOCKING POINT	1			
40	99-5082	• LABEL - CAUTION	1			
50	99-5309	• LABEL - US WARNING	1			
60	99-5083	• LABEL - LIFTING POINT	1			
70	99-5308	• LABEL - US DANGER	1			
80	99-5085	• LABEL - NO STEP	1			
90	99-5086	• LABEL - CAUTION TEXT	1			
100	99-5250	• LABEL - MT24 - MODEL	1			
110	99-5251	• LABEL - MT36 - MODEL	1			
120	99-5241	• LABEL - TRENCHER DEPTH - (MT36)	1			
130	99-5239	• LABEL - TRENCHER DEPTH - (MT24)	1			
140	99-5240	• LABEL - TRENCHER DEPTH - (MT36)	1			
150	99-5238	• LABEL - TRENCHER DEPTH - (MT24)	1			
160	99-5251	• LABEL - MT36 - MODEL	2			
170	99-5067	• LABEL - AUGERTORQUE LOGO - (MT24)	2			
180	99-95-400001	• OPERATOR'S MANUAL - ENGLISH	1			

Ref. MTUS-0006-1





# MT24 - MT36 Trencher - Parts List



MT24 from Serial Number 410620001

MT36 from Serial Number 450920001

## Auger Torque Publication Feedback Form

Please copy this form and when complete return to the address below

Your Contact Details

Please enter your feedback in the field below :-

Name :-

Address :-

Telephone :-

Email :-

Publication Number

Publication Title

Issue/Rev Number

Auger Torque USA LLC  
100 Commerce Drive  
Huntington  
Indiana, 46750  
USA  
Phone: (+1) 260 200 1500  
Fax: (+1) 260 200 1501  
Email: sales@augertorqueusa.com