



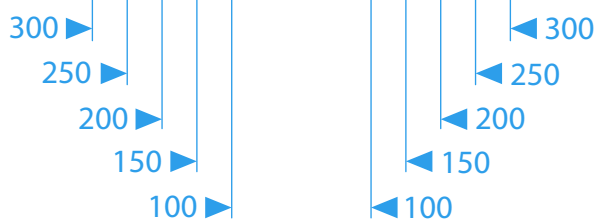
MT TRENCHER WORK INSTRUCTION

600 x 100mm 24 STN COMBI

Part No: 44-2902 - Revision: 4 - Date: 25 November 2013 1:34 PM



STN	SPACER	FRONT	M10 BOLTS		TOOTH
			FRONT	BACK	
1	-		65mm	65mm	CENTRE TUNGSTEN
2	-		75mm	30mm	CENTRE TUNGSTEN
3	-		75mm	30mm	CENTRE TUNGSTEN
4	-		70mm	25mm	LEFT EARTH
5	-		75mm	30mm	LEFT TUNGSTEN
6	-		75mm	30mm	RIGHT TUNGSTEN
7	-		70mm	25mm	LEFT EARTH
8	-		70mm	25mm	RIGHT EARTH
9	-		65mm	65mm	CENTRE TUNGSTEN
10	-		75mm	30mm	CENTRE TUNGSTEN
11	-		75mm	30mm	CENTRE TUNGSTEN
12	-		70mm	25mm	RIGHT EARTH





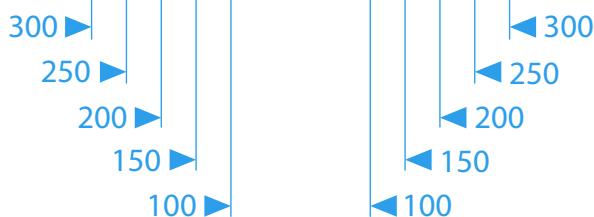
MT TRENCHER WORK INSTRUCTION

600 x 100mm 24 STN COMBI

Part No: 44-2902 - Revision: 4 - Date: 25 November 2013 1:34 PM



STN	SPACER	FRONT	M10 BOLTS		TOOTH
			FRONT	BACK	
13	-		75mm	30mm	RIGHT TUNGSTEN
14	-		75mm	30mm	LEFT TUNGSTEN
15	-		70mm	25mm	RIGHT EARTH
16	-		70mm	25mm	LEFT EARTH
17	-		65mm	65mm	CENTRE TUNGSTEN
18	-		75mm	30mm	CENTRE TUNGSTEN
19	-		75mm	30mm	CENTRE TUNGSTEN
20	-		70mm	25mm	LEFT EARTH
21	-		75mm	30mm	LEFT TUNGSTEN
22	-		75mm	30mm	RIGHT TUNGSTEN
23	-		70mm	25mm	LEFT EARTH
24	-		70mm	25mm	RIGHT EARTH





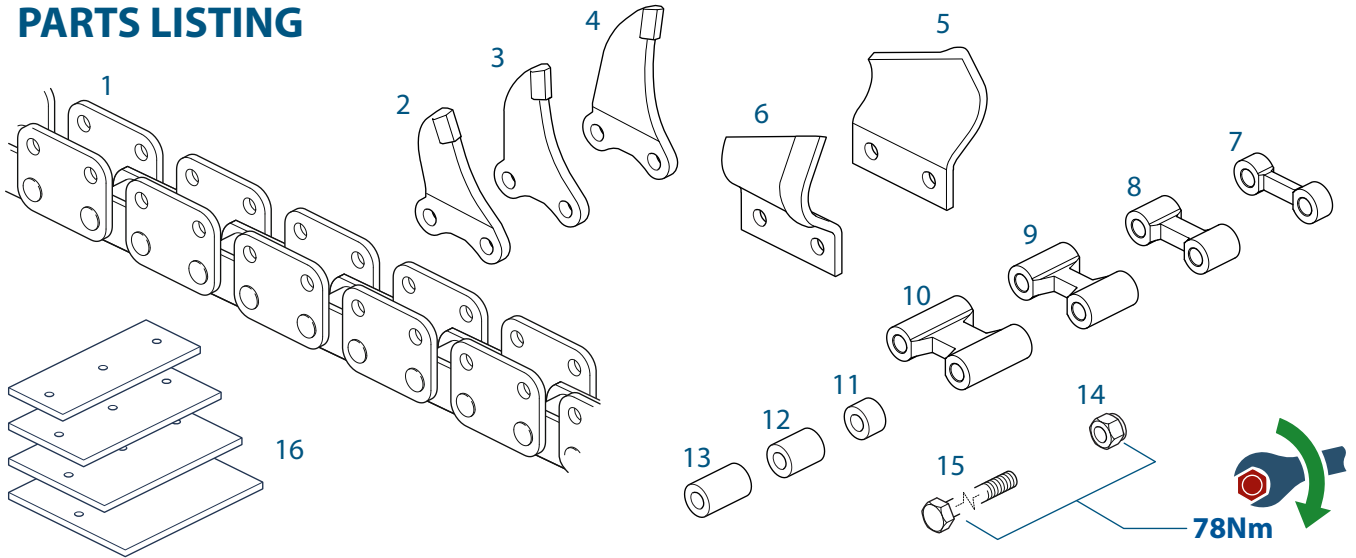
MT TRENCHER WORK INSTRUCTION

600 x 100mm 24 STN COMBI



Part No: 44-2902 - Revision: 4 - Date: 25 November 2013 1:34 PM

PARTS LISTING



ITEM	PART NUMBER	REV*	QUANTITY	DESCRIPTION
1	44-2024	1	N/A	CHAIN - 82 LINKS(1200 DEEP)
1	44-2025	1	N/A	CHAIN - 64 LINKS (900 DEEP)
1	44-2026	1	1	CHAIN - 48 LINKS (600 DEEP)
2	44-2003	1	3	TOOTH - MINI-T RIGHT HAND TUNGSTEN
3	44-2002	1	9	TOOTH - MINI-T CENTRE TUNGSTEN
4	44-2001	1	3	TOOTH - MINI-T LEFT HAND TUNGSTEN
5	44-2010	1	5	TOOTH - MINI-T LEFT HAND EARTH
6	44-2011	1	4	TOOTH - MINI-T RIGHT HAND EARTH
7	44-2031	2	N/A	SPACER BLOCK - 12mm WIDE
8	44-2032	2	N/A	SPACER BLOCK - 25mm WIDE
9	44-2033	2	N/A	SPACER BLOCK - 37.5mm WIDE
10	44-2034	2	N/A	SPACER BLOCK - 50mm WIDE
11	44-2029	1	12	CHAIN SPACER - 15.3 LONG
12	44-2028	1	N/A	CHAIN SPACER - 30.0 LONG
13	44-2027	1	12	CHAIN SPACER - 38.5 LONG
14	99-9184	1	48	FIXING - NUT NYLOC M10
15	99-9124-025	1	9	FIXING - SETSCREW - M10 x 25mm
15	99-9124-030	1	12	FIXING - SETSCREW - M10 x 30mm
15	99-9114-040	1	N/A	FIXING - BOLT - M10 x 40mm
15	99-9114-050	1	N/A	FIXING - BOLT - M10 x 50mm
15	99-9114-055	1	N/A	FIXING - BOLT - M10 x 55mm
15	99-9114-060	1	N/A	FIXING - BOLT - M10 x 60mm
15	99-9114-065	1	6	FIXING - BOLT - M10 x 65mm
15	99-9114-070	1	9	FIXING - BOLT - M10 x 70mm
15	99-9114-075	1	12	FIXING - BOLT - M10 x 75mm
15	99-9114-080	1	N/A	FIXING - BOLT - M10 x 80mm
15	99-9114-085	1	N/A	FIXING - BOLT - M10 x 85mm
15	99-9114-090	1	N/A	FIXING - BOLT - M10 x 90mm
15	99-9114-100	1	N/A	FIXING - BOLT - M10 x 100mm
15	99-9114-110	1	N/A	FIXING - BOLT - M10 x 110mm
15	99-9114-120	1	N/A	FIXING - BOLT - M10 x 120mm
15	99-9114-200	1	N/A	FIXING - BOLT - M10 x 200mm
15	99-9114-210	1	N/A	FIXING - BOLT - M10 x 210mm
15	99-9114-230	1	N/A	FIXING - BOLT - M10 x 230mm
15	99-9114-250	1	N/A	FIXING - BOLT - M10 x 250mm
15	99-9114-260	1	N/A	FIXING - BOLT - M10 x 260mm
15	99-9114-280	1	N/A	FIXING - BOLT - M10 x 280mm
15	99-9114-290	1	N/A	FIXING - BOLT - M10 x 290mm
16	42-1058	1	N/A	SCRAPER - 332 x 130 (FOR 150 CHAIN)
16	42-1030	1	N/A	SCRAPER - 332 x 180 (FOR 200 CHAIN)
16	42-1052	1	N/A	SCRAPER - 332 x 230 (FOR 250 CHAIN)
16	42-1057	1	N/A	SCRAPER - 332 x 280 (FOR 300 CHAIN)

If a bolt size is not available go to the closest larger size

▲ *REVISION STATUS SHOULD BE AS STATED OR NEWER, IF AVAILABLE