



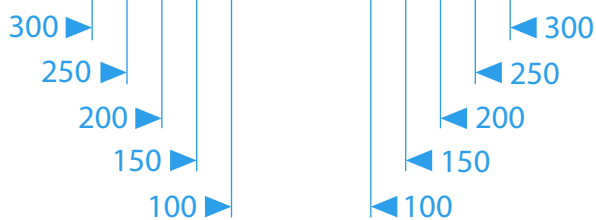
MT TRENCHER WORK INSTRUCTION

600 x 200mm 24 STN COMBI

Part No: 44-2906 - Revision: 4 - Date: 25 November 2013 12:42 PM



STN	SPACER	M10 BOLTS		TOOTH
		FRONT	BACK	
1	-		75mm 30mm	CENTRE TUNGSTEN
2	-		75mm 30mm	CENTRE TUNGSTEN
3	12.5mm		90mm 40mm	LEFT TUNGSTEN
4	12.5mm		90mm 40mm	RIGHT TUNGSTEN
5	-		70mm 25mm	LEFT EARTH
6	-		70mm 25mm	RIGHT EARTH
7	25mm		100mm 50mm	LEFT TUNGSTEN
8	25mm		100mm 50mm	RIGHT TUNGSTEN
9	50mm		120mm 80mm	LEFT TUNGSTEN
10	50mm		120mm 80mm	RIGHT TUNGSTEN
11	50mm		120mm 75mm	LEFT EARTH
12	50mm		120mm 75mm	RIGHT EARTH





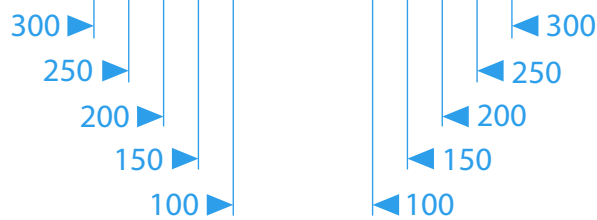
MT TRENCHER WORK INSTRUCTION

600 x 200mm 24 STN COMBI

Part No: 44-2906 - Revision: 4 - Date: 25 November 2013 12:42 PM



STN	SPACER	M10 BOLTS		TOOTH	
		FRONT	BACK		
13	-		75mm	30mm	CENTRE TUNGSTEN
14	-		75mm	30mm	CENTRE TUNGSTEN
15	12.5mm		90mm	40mm	LEFT TUNGSTEN
16	12.5mm		90mm	40mm	RIGHT TUNGSTEN
17	-		70mm	25mm	LEFT EARTH
18	-		70mm	25mm	RIGHT EARTH
19	25mm		100mm	50mm	LEFT TUNGSTEN
20	25mm		100mm	50mm	RIGHT TUNGSTEN
21	50mm		120mm	80mm	LEFT TUNGSTEN
22	50mm		120mm	80mm	RIGHT TUNGSTEN
23	50mm		120mm	75mm	LEFT EARTH
24	50mm		120mm	75mm	RIGHT EARTH





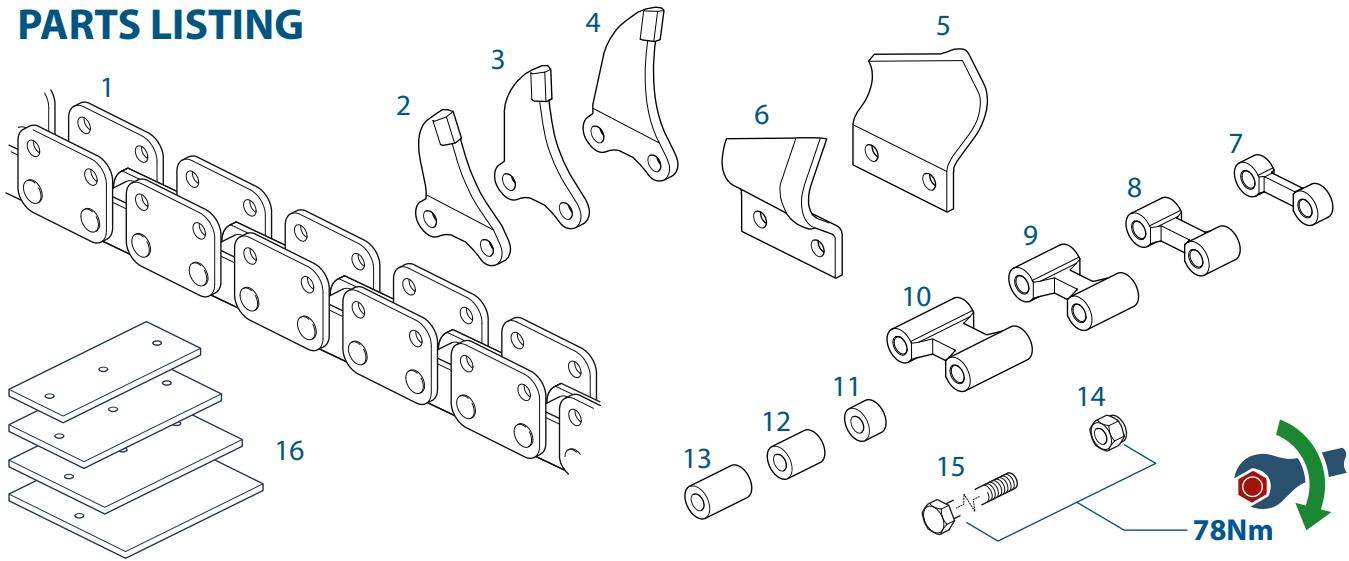
MT TRENCHER WORK INSTRUCTION

600 x 200mm 24 STN COMBI



Part No: 44-2906 - Revision: 4 - Date: 25 November 2013 12:42 PM

PARTS LISTING



ITEM	PART NUMBER	REV*	QUANTITY	DESCRIPTION
1	44-2024	1	N/A	CHAIN - 82 LINKS(1200 DEEP)
1	44-2025	1	N/A	CHAIN - 64 LINKS (900 DEEP)
1	44-2026	1	1	CHAIN - 48 LINKS (600 DEEP)
2	44-2003	1	6	TOOTH - MINI-T RIGHT HAND TUNGSTEN
3	44-2002	1	4	TOOTH - MINI-T CENTRE TUNGSTEN
4	44-2001	1	6	TOOTH - MINI-T LEFT HAND TUNGSTEN
5	44-2010	1	4	TOOTH - MINI-T LEFT HAND EARTH
6	44-2011	1	4	TOOTH - MINI-T RIGHT HAND EARTH
7	44-2031	2	4	SPACER BLOCK - 12mm WIDE
8	44-2032	2	4	SPACER BLOCK - 25mm WIDE
9	44-2033	2	N/A	SPACER BLOCK - 37.5mm WIDE
10	44-2034	2	8	SPACER BLOCK - 50mm WIDE
11	44-2029	1	N/A	CHAIN SPACER - 15.3 LONG
12	44-2028	1	N/A	CHAIN SPACER - 30.0 LONG
13	44-2027	1	24	CHAIN SPACER - 38.5 LONG
14	99-9184	1	48	FIXING - NUT NYLOC M10
15	99-9124-025	1	4	FIXING - SETSCREW - M10 x 25mm
15	99-9124-030	1	4	FIXING - SETSCREW - M10 x 30mm
15	99-9114-040	1	4	FIXING - BOLT - M10 x 40mm
15	99-9114-050	1	4	FIXING - BOLT - M10 x 50mm
15	99-9114-055	1	N/A	FIXING - BOLT - M10 x 55mm
15	99-9114-060	1	N/A	FIXING - BOLT - M10 x 60mm
15	99-9114-065	1	N/A	FIXING - BOLT - M10 x 65mm
15	99-9114-070	1	4	FIXING - BOLT - M10 x 70mm
15	99-9114-075	1	8	FIXING - BOLT - M10 x 75mm
15	99-9114-080	1	4	FIXING - BOLT - M10 x 80mm
15	99-9114-085	1	N/A	FIXING - BOLT - M10 x 85mm
15	99-9114-090	1	4	FIXING - BOLT - M10 x 90mm
15	99-9114-100	1	4	FIXING - BOLT - M10 x 100mm
15	99-9114-110	1	N/A	FIXING - BOLT - M10 x 110mm
15	99-9114-120	1	8	FIXING - BOLT - M10 x 120mm
15	99-9114-200	1	N/A	FIXING - BOLT - M10 x 200mm
15	99-9114-210	1	N/A	FIXING - BOLT - M10 x 210mm
15	99-9114-230	1	N/A	FIXING - BOLT - M10 x 230mm
15	99-9114-250	1	N/A	FIXING - BOLT - M10 x 250mm
15	99-9114-260	1	N/A	FIXING - BOLT - M10 x 260mm
15	99-9114-280	1	N/A	FIXING - BOLT - M10 x 280mm
15	99-9114-290	1	N/A	FIXING - BOLT - M10 x 290mm
16	42-1058	1	N/A	SCRAPER - 332 x 130 (FOR 150 CHAIN)
16	42-1030	1	1	SCRAPER - 332 x 180 (FOR 200 CHAIN)
16	42-1052	1	N/A	SCRAPER - 332 x 230 (FOR 250 CHAIN)
16	42-1057	1	N/A	SCRAPER - 332 x 280 (FOR 300 CHAIN)

If a bolt size is not available go to the closest larger size

***REVISION STATUS SHOULD BE AS STATED OR NEWER, IF AVAILABLE**