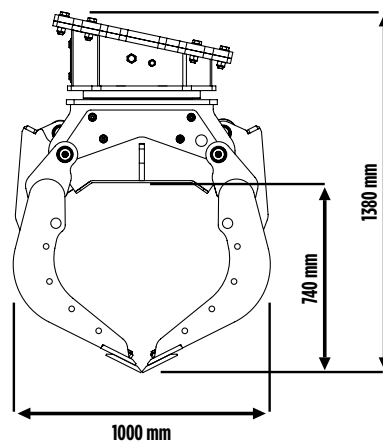
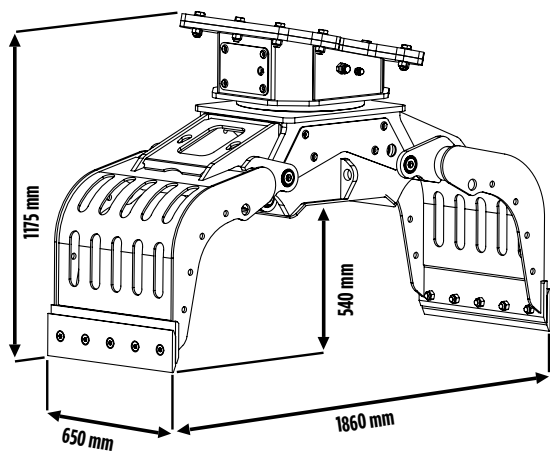


# MB-G600





## MB-G600

The MB-G600 grapple, the smallest in the range, combines notable operational agility, extreme sensitivity and hold precision, and its closing strength can be gradually increased to the point of carrying out demolition operations on walls.


## ACCESSORIES

- RECOMMENDED SPARE PARTS KIT
- FIXED COUPLER
- QUICK FEMALE COUPLER
- 24 MONTHS WARRANTY

## AREAS OF APPLICATION

SMALL AND MEDIUM-SCALE URBAN SITES  
DEMOLITION

## SPECIFICATIONS

EQUIPMENT	LOAD CAPACITY (CLAWS CLOSED)	FLOW DIRECTION	OIL FLOW (OPEN/CLOSE)
 ≥ 6 ÷ 12 Ton	0,29 m <sup>3</sup> / 290 L	5 ÷ 15 l/min.	25 l/min.
PRESSURE OF ROTATION	PRESSURE (OPEN/CLOSE)	WEIGHT	ROTATION
160 bar	200 ÷ 400 bar	0,60 Ton	360°