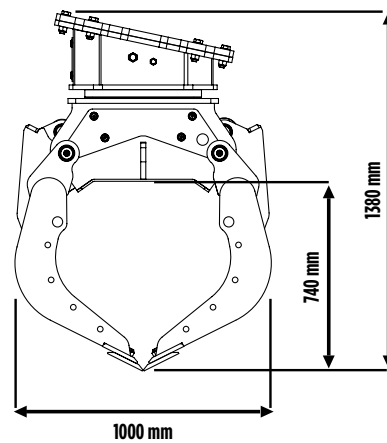
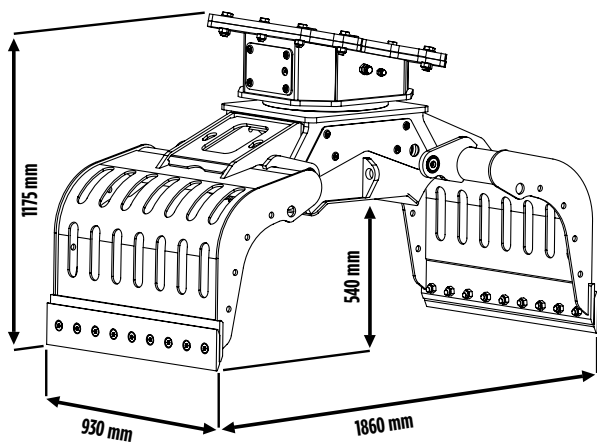


# MB-G900 S2





## MB-G900 S2

The MB-G900 S2 grapple combines notable operational agility, extreme sensitivity and hold precision, and its closing strength can be gradually increased to the point of carrying out demolition operations on walls.


## ACCESSORIES

- ROTATION POWER EXTENDER KIT
- GRIP IMPROVEMENT KIT
- MULTI-PURPOSE BLADE KIT
- RUBBER PROTECTION KIT
- CLAM SHELL KIT
- WARRANTY EXTENSION GOLD 24

## AREAS OF APPLICATION

- DEMOLITIONS
- URBAN CONSTRUCTION SITES
- PORTS AND FREIGHT TERMINALS
- QUARRIES
- RECYCLING AND WASTE SORTING FACILITY

## SPECIFICATIONS

RECOMMENDED EXCAVATOR	LOAD CAPACITY (CLAWS/CLOSED)	FLOW DIRECTION	OIL FLOW (OPEN/CLOSE)
 ≥ 12 ≤ 18 Ton	0,43 m <sup>3</sup> / 430 L	15 ÷ 30 l/min.	30 l/min.
PRESSURE OF ROTATION	PRESSURE (OPEN/CLOSE)	WEIGHT	ROTATION
160 bar	200 ÷ 400 bar	0,78 Ton	360°

They allow you to customise your attachment and improve work in any job site.



## ROTATION POWER EXTENDER KIT

The MB rotation power extender kit can be installed on the top part of the MB grapple. It magnifies the rotation strength of the grapples and allows to move heavy material with extreme ease.



## GRIP IMPROVEMENT KIT

The MB grip improvement kit can be installed on the internal side of the MB grapple attachment. It allows to move particularly heavy and unusual shapes with ease, grip and precision.



## MULTIPURPOSE BLADE KIT

The MB multipurpose blade kit is the standard blade replacement of the MB Grapple. It has a double blade: toothed on one side and smooth on the other. The blades are easily and quickly interchangeable. It is available for all MB Grapple models.



## RUBBER PROTECTION KIT

The rubber protection kit is installed on the internal part of the MB Grapple. Its rubber edges permit to move linear and delicate materials. Its tilting structure allows the operator to pick up different sizes material.



## CLAM SHELL KIT

The clam shell kit is manufactured to move and pick up small sized material. It is easy and quick to install.