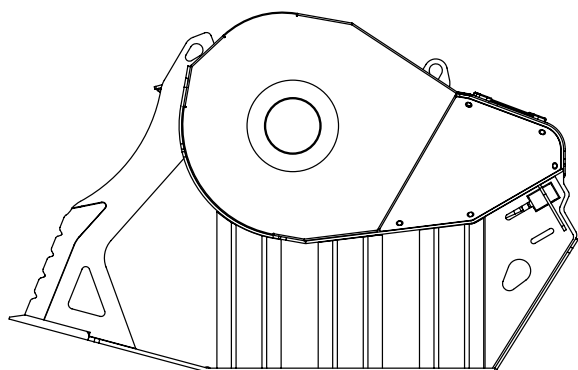
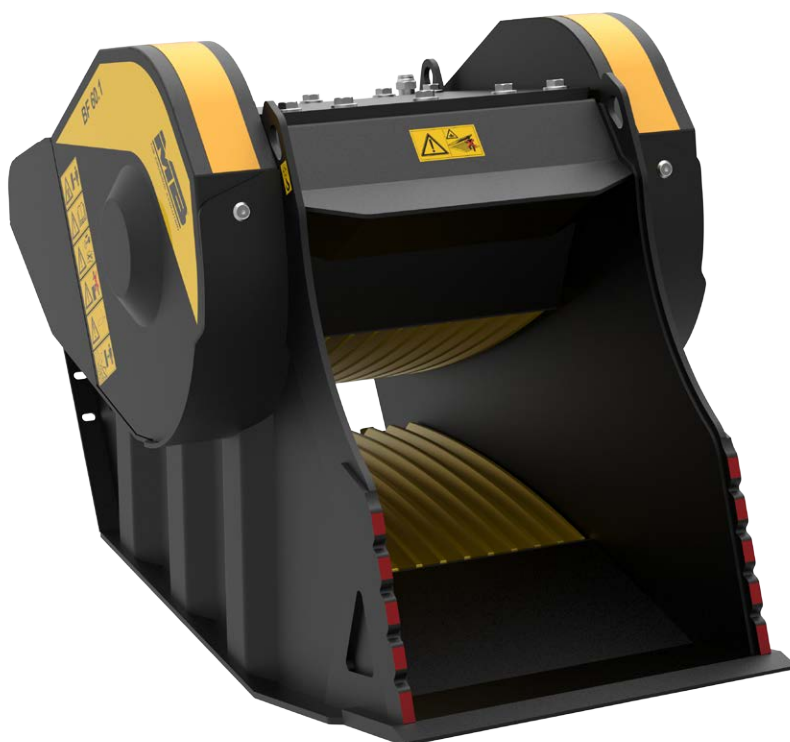


BF 60.1 S4

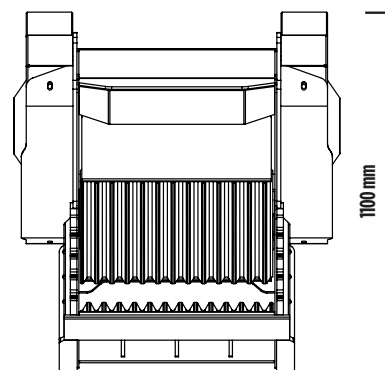


NEW!

- + PRODUCTIVE
- + BALANCED
- + RELIABLE
- + COMPACT
- + STRONG
- + EASY MAINTENANCE



1745 mm



1000 mm

1100 mm

NEW!

FIND OUT
MORE



ENGLISH



BF 60.1 S4

The BF60.1 crusher bucket, despite its compact size and reduced weight, is sturdy and resistant. Agile and powerful, it is MB's solution for small-scale sites. Its reduced weight and ease of installation allow for access to problematic and difficult-to-reach sites such as those in historical urban centres or in high altitude mountain areas.



ACCESSORIES

- RECOMMENDED SPARE PARTS KIT
- FIX COUPLER
- QUICK FEMALE COUPLER
- IRON SEPARATOR
- HOUR METER
- DUST SUPPRESSION KIT
- 24 MONTHS WARRANTY

AREAS OF APPLICATION

- RECYCLING
- URBAN JOB SITES
- ROAD WORKS
- HIGH-ALTITUDE SITES
- DEMOLITION
- EXCAVATION

SPECIFICATIONS

EQUIPMENT	LOAD CAPACITY	OPENING DIMENSIONS	OUTPUT SETTING	DIMENSIONS
 ≥ 8 Ton	0,55 m ³	L 610 H 500 mm	≥ 15 ≤ 130 mm	1745 x 1000 H 1100 mm
OIL FLOW	PRESSURE	COUNTER PRESSURE	WEIGHT	MAXIMUM PRODUCTION
98 l/min.	220 bar	10 bar	1,6 Ton	23 m ³ /h

The data provided above is not binding, as the manufacturer reserves itself the right to make improvements to its products at any time and with no advance notice. References to excavator weights are approximate and many may be subject to changes. Consider a 20% tolerance.

Rev. 2017 / 03