

UNIVERSAL HYDRAULIC OIL COOLER

MULCH COOL

Universal hydraulic oil cooler for skid steers.

The FAE Hydraulic Roof Mounted Oil Cooler with the heavy-duty protective housing was designed to minimize a chance of equipment overheating. Once installed on your machine, this cooler can drastically increase your productivity in many applications, particularly in hot environments.

It features: a reversible fan to avoid material build-up or clogging; gradual start-up speed to minimize stress on the electric system and maintain consistent cooling temperature; the electrical controllers start the fans at 140 °F and turns them off when oil temperature reaches 120 °F.



13-48 gal/min



Ø 11 in fan diameter



Pressure relief check valve built-in to allow the oil to bypass the cooler if the pressure builds above 65 PSI

2 reversible fans to avoid material build-up or clogging

Accessible hydraulic connections



4 mounting brackets for universal mounting

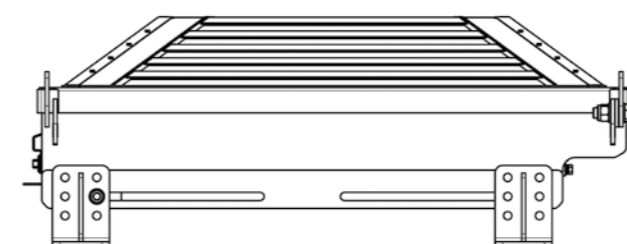
MODEL

MULCH COOL

| | |
|-------------------------------------|-------|
| Height (in) | 14 |
| Length (in) | 38 |
| Width (in) | 28 |
| Min flow rate (gal/min) | 13 |
| Max flow rate (gal/min) | 48 |
| Weight (lbs) | 194 |
| Number of fans | 2 |
| Fans' diameter (in) | 11 |
| Max cooling capacity (BTU/h) | 45000 |

Data refers to machine as standard. The technical data in this catalog may be altered without prior notice. Mounting hardware and external plumbing not included.

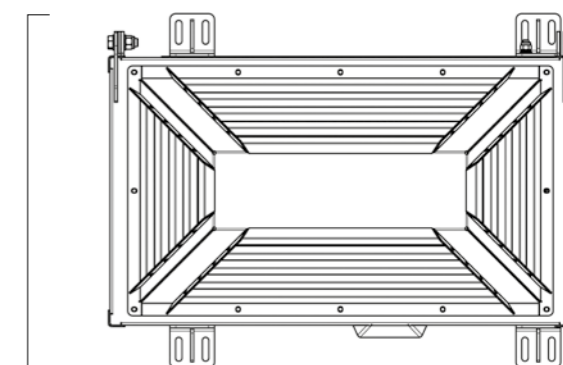
DIMENSIONS



38 in

14 in

28 in



ADVANTAGES



Colder hydraulic oil working temperatures



Tiltable lid



Universal mounting



Easy access to cleaning tray