

GRX®

BY INTERMERCATO



**A NEW BEAST ENTERS.
DEFINITELY FIERCE.**

Maximum flexibility and exceptional performance

For mini and midi excavators



FLEXIBILITY

GRX gives you the possibility to choose between log grab, 4-finger, 5-finger grab and sorting grab.

GRX with its flexible universal hole pattern, is built for tilt rotators with angled excavator attachments, direct mounting of RMR compact rotators and for Intermercato WDR worm drives.



SIMPLIFIED CONSTRUCTION

All **GRX** grabs of a certain size share the same body, guide bars, shafts and cylinder.

GRX®

BY INTERMERCATO



LIGHT AND STRONG



The **GRX** series is made of steel from SSAB. The body is made of **Strenx®** high-strength structural steel 700, the claws of **Hardox®** 450 wear-resistant steel. This brilliant combination of materials gives **GRX** maximum strength and ideal weight.

The bodies of all **GRX** grabs are bent in one piece. No unnecessary weldings.

SAFETY



Check valve as standard on **GRX** 15, 20 & 25 sorting grabs (EG model).
Check valve and accumulator optional on **GRX** 20 and 25.

Wide, bent safety sheet metal in **Strenx®** 700 under the body.

GRX®

LOG GRAB

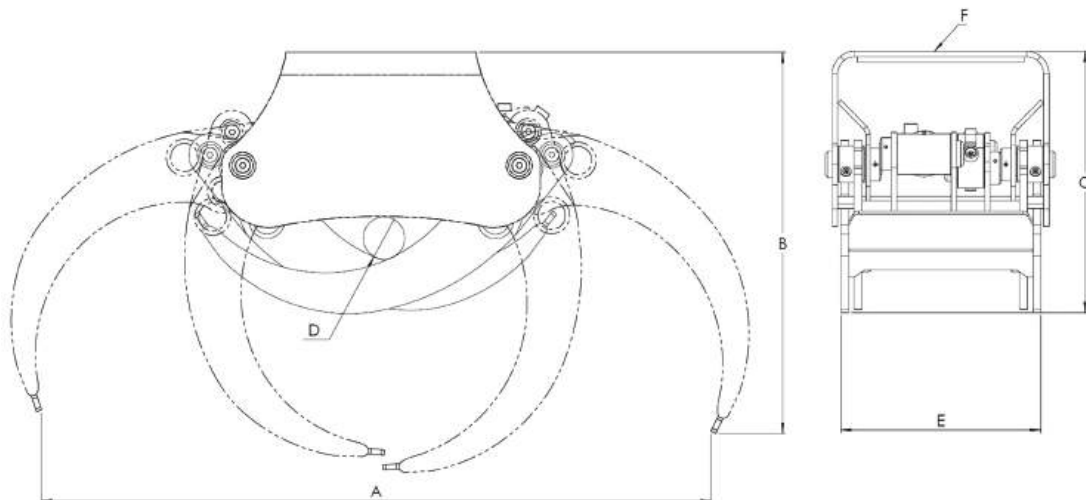
Bent body in Strenx® 700 high strength structural steel

Claws in Hardox® 450 wear-resistant steel

Check valve and accumulator optional on GRX 20 and 25



Universal hole pattern for
Angled excavator attachment | RMR compact rotator | WDR worm drive



MODEL SPECS



MODEL	Kg	m ²	Bar	l/min	kN	ton
GRX 10	68	0,11	200	20	7,2	1,5-3
GRX 15	91	0,14	200	20	7,2	3-6
GRX 20	165	0,20	250	30	11,3	5-9
GRX 25	238	0,25	250	40	14,9	8-13

	GRX 10	GRX 15	GRX 20	GRX 25
A	976	930	1262	1424
B	504	618	705	812
C	350	398	485	543
D	60	63	78	85
E	333	316	377	419
F	140x140 M16 Centre Ø110	140x140 M16 205/10 M12 Centre Ø110	140x140 M16 270/16 M16 Centre Ø145	140x140 M16 270/16 M16 Centre Ø145

GRX®

4-FINGER GRAB

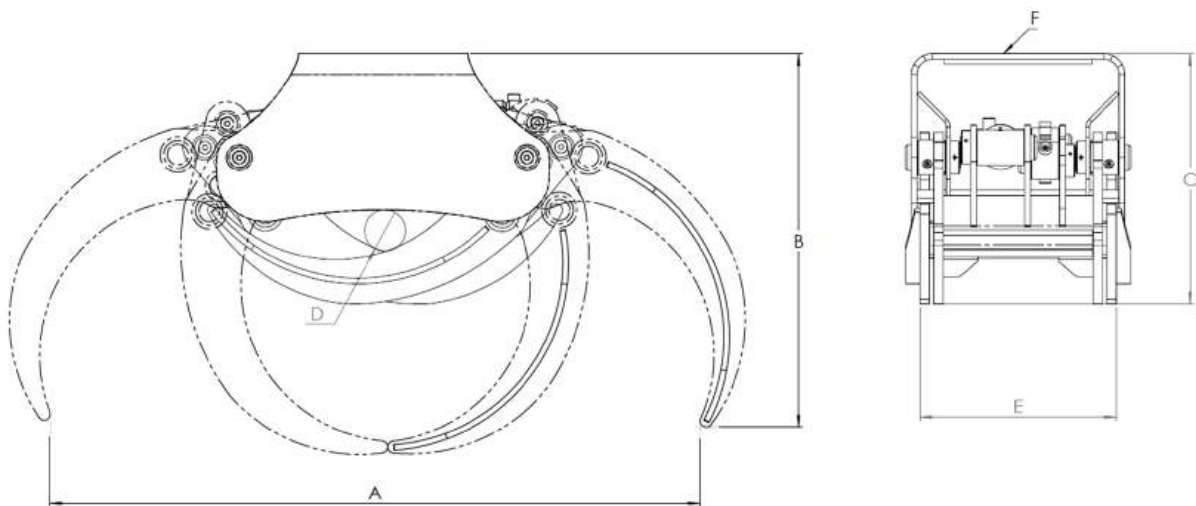
Bent body in Strenx® 700 high strength structural steel

Claws in Hardox® 450 wear-resistant steel

Check valve and accumulator optional on GRX20-4 & 25-4



Universal hole pattern for
Angled excavator attachment | RMR compact rotator | WDR worm drive



MODEL SPECS



MODEL	Kg	m ²	Bar	l/min	kN	ton
GRX 10-4	64	0,10	200	20	7,2	1,5-3
GRX 15-4	87	0,12	200	20	7,2	3-6
GRX 20-4	157	0,19	250	30	11,3	5-9
GRX 25-4	236	0,24	250	40	14,9	8-13

	GRX 10-4	GRX 15-4	GRX 20-4	GRX 25-4
A	970	940	1234	1385
B	465	570	688	790
C	345	385	485	533
D	60	63	78	85
E	333	367	377	419
F	140x140 M16 Centre Ø110	140x140 M16 205/10 M12 Centre Ø110	140x140 M16 270/16 M16 Centre Ø145	140x140 M16 270/16 M16 Centre Ø145

GRX®

5-FINGER GRAB

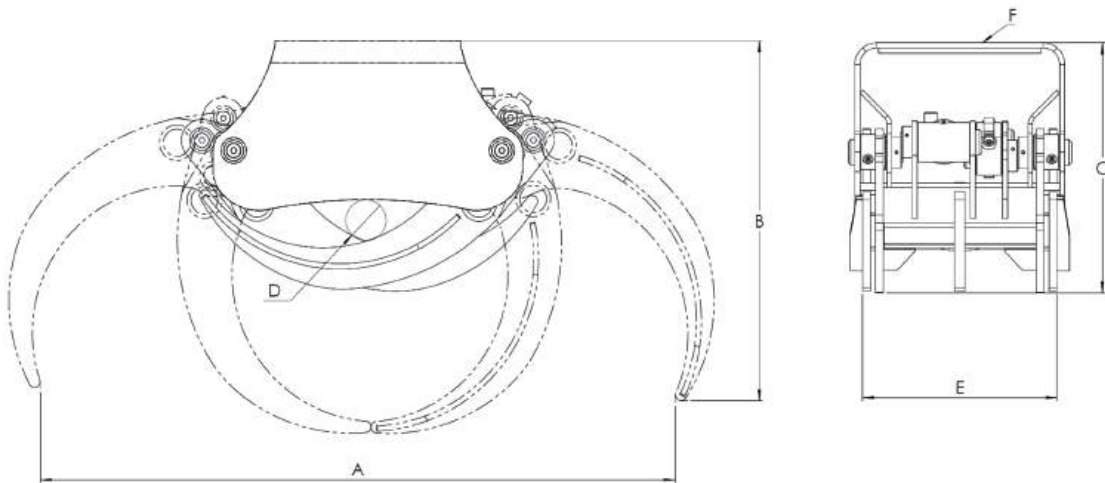
Bent body in Strenx® 700 high strength structural steel

Claws in Hardox® 450 wear-resistant steel

Check valve and accumulator optional on GRX20-5 & 25-5



Universal hole pattern for
Angled excavator attachment | RMR compact rotator | WDR worm drive



MODEL SPECS



MODEL	Kg	m ²	Bar	l/min	kN	ton
GRX 10-5	66	0,10	200	20	7,2	1,5-3
GRX 15-5	95	0,14	200	20	7,2	3-6
GRX 20-5	170	0,19	250	30	11,3	5-9
GRX 25-5	248	0,24	250	40	14,9	8-13

GRX 10-5 GRX 15-5 GRX 20-5 GRX 25-5

	GRX 10-5	GRX 15-5	GRX 20-5	GRX 25-5
A	970	940	1234	1385
B	465	578	688	790
C	345	394	485	533
D	60	63	78	85
E	333	316	377	419
F	140x140 M16 Centre Ø110	140x140 M16 205/10 M12 Centre Ø110	140x140 M16 270/16 M16 Centre Ø145	140x140 M16 270/16 M16 Centre Ø145

GRX®

EG SORTING GRAB

Bent body in Strenx® 700 high strength structural steel

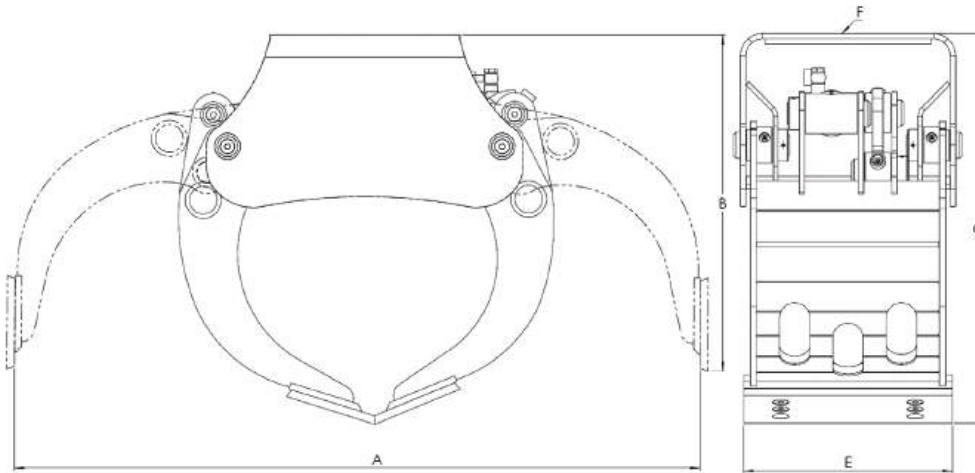
Claws in Hardox® 450 wear-resistant steel

Check valve as standard on GRX 15 EG, 20 EG & 25 EG

Accumulator optional on GRX 20 EG & 25 EG



Universal hole pattern for
Angled excavator attachment | RMR compact rotator | WDR worm drive



MODEL SPECS



MODEL	Kg	m ³	Bar	l/min	kN	ton
GRX 10 EG	68	0,79	200	20	7,5	1,5-3
GRX 15 EG	102	0,10	200	20	6,7	3-6
GRX 20 EG	180	0,14	250	30	11	5-9
GRX 25 EG	263	0,19	250	40	14,5	8-13

	GRX 10 EG	GRX 15 EG	GRX 20 EG	GRX 25 EG
A	949	1150	1300	1500
B	451	497	631	735
C	520	616	731	840
E	343	366	395	439
F	140x140 M16 Centre Ø110	140x140 M16 205/10 M12 Centre Ø110	140x140 M16 270/16 M16 Centre Ø145	140x140 M16 270/16 M16 Centre Ø145

GRX®

LOG GRAB



Model	Kg	mm	ton
GRX 10 / RMR 2	88	976	1,5-2,5
GRX 10 / RMR 3	96	976	1,5-3
GRX 15 / RMR 3	122	930	2-3,5
GRX 15 / RMR 6 C	145	930	3-6
GRX 20 / RMR 6 C	219	1262	3,5-6
GRX 20 / RMR 8	252	1262	5-8
GRX 25 / RMR 8	325	1424	6-8
GRX 25 / RMR 12	340	1424	7-12

**MOUNTED WITH
RMR COMPACT ROTATOR**

GRX®

4-FINGER GRAB



Model	Kg	mm	ton
GRX 10-4 / RMR 2	84	970	1,5-2,5
GRX 10-4 / RMR 3	92	970	1,5-3
GRX 15-4 / RMR 3	125	940	2-3,5
GRX 15-4 / RMR 6 C	148	940	3-6
GRX 20-4 / RMR 6 C	222	1234	3,5-6
GRX 20-4 / RMR 8	255	1234	5-8
GRX 25-4 / RMR 8	332	1385	6-8
GRX 25-4 / RMR 12	347	1385	7-12

**MOUNTED WITH
RMR COMPACT ROTATOR**

GRX®

5-FINGER GRAB



Model	Kg	mm	ton
GRX 10-5 / RMR 2	86	970	1,5-2,5
GRX 10-5 / RMR 3	94	970	1,5-3
GRX 15-5 / RMR 3	126	940	2-3,5
GRX 15-5 / RMR 6 C	149	940	3-6
GRX 20-5 / RMR 6 C	234	1234	3,5-6
GRX 20-5 / RMR 8	257	1234	5-8
GRX 25-5 / RMR 8	335	1385	6-8
GRX 25-5 / RMR 12	350	1385	7-12

**MOUNTED WITH
RMR COMPACT ROTATOR**

GRX®

EG SORTING GRAB



Model	Kg	mm	ton
GRX 10 EG / RMR 2	88	949	1,5-2,5
GRX 10 EG / RMR 3	96	949	1,5-3
GRX 15 EG / RMR 3	133	1150	2-3,5
GRX 15 EG / RMR 6 C	156	1150	3-6
GRX 20 EG / RMR 6 C	224	1300	3,5-6
GRX 20 EG / RMR 8	267	1300	5-8
GRX 25 EG / RMR 8	350	1500	6-8
GRX 25 EG / RMR 12	365	1500	7-12

**MOUNTED WITH
RMR COMPACT ROTATOR**



www.intermercato.com



GRX[®]

BY INTERMERCATO

MAXIMUM STRENGTH. IDEAL WEIGHT.



Weight



Recommended excavator weight – rigid mounting



Gripping area



Recommended oil flow



Gripping force



Maximum working pressure

Intermercato is more than just grabs

Explore our full range of products on www.intermercato.com
or contact our highly skilled sales team by Email or phone

GRX®

BY INTERMERCATO

Intermercato AB
Bygatan 5
272 93 Tommarp
Sweden

info@intermercato.com
Tel +46 414 20525

WWW.INTERMERCATO.COM

Your local dealer:

INTERMERCATO®
HIGH PERFORMANCE LIFT & LOAD ATTACHMENTS